

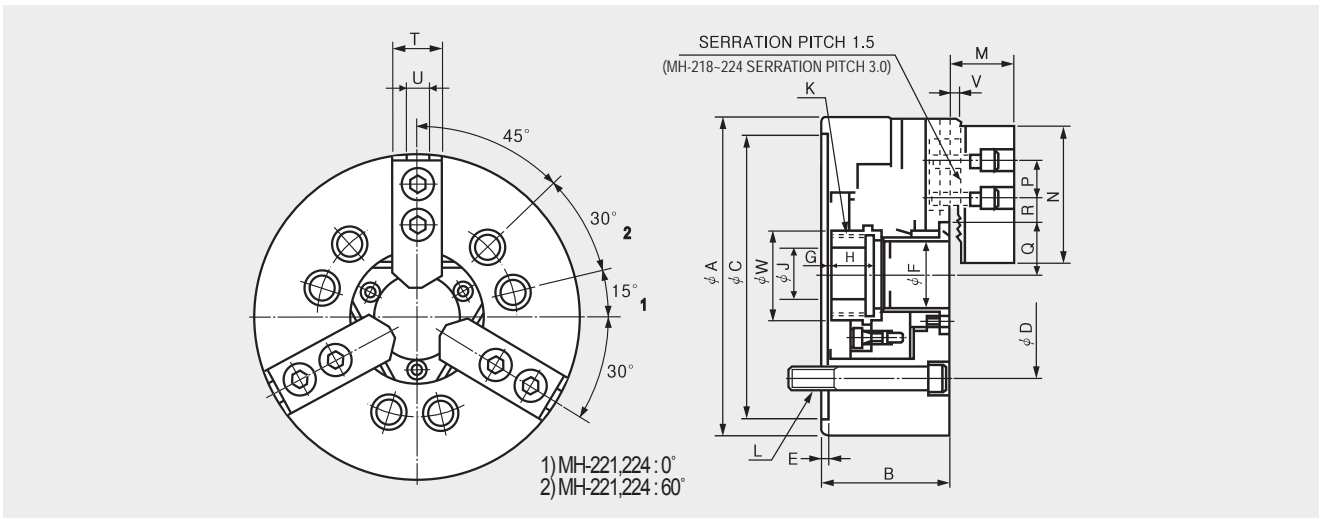
MH

Standard Mega Bore 3-Jaw High-Speed Open-Center Chuck



- Mega-bore 3-jaw wedge-style open-center power chuck

HYDRAULIC CHUCK



Dimensions

	A	B	C(H6)	D	E	F	Gmax.	Gmin.	H	J	Kmax.	L	M	N	P	Qmax.	Qmin.	Rmax.	Rmin.	T	U	V	W
MH-206	175	81	140	104.8	5	52	14	-1	17.5	20	M60×2.0	3-M10×95	33	72	20	38	34.8	21.75	10.25	31	12	2	65
MH-208	210	91	170	133.4	5	66	7.5	-10	27	30	M75×2.0	6-M12×115	39	95	25	45.7	42	23.75	11.75	35	14	2	80
MH-210	254	100	220	171.4	5	82	8.5	-11	25	52	M90×2.0	6-M16×120	43	110	30	54.5	50.1	32.25	14.25	40	16	2	101
MH-212	315	110	300	235	6	103	8	-15	28	66	M112×2.0	6-M20×130	51	111	30	67.3	62	45.75	15.75	49	21	2	124
MH-218	457	135	380	300.2	6	166.5	8	-17	50	107	M175×3.0	6-M20×130	69	165	50	102	96.25	58.25	20.25	69	22	5	186
MH-221	530	140	380	330.2	6	166.5	11	-12	39	80	M180×3.0	6-M22×140	73	180	60	111.75	106.5	72.5	21.5	65	25	5	197
MH-224	610	149	380	330.2	6	190	20	-3	35	80	M200×3.0	6-M22×150	73	180	60	119.5	114.2	105.5	21.5	65	25	5	210

※ Blank and machined draw-nuts are available.

※ "K" is Max. Draw nut size.

Specifications

	Thru Hole Diameter.(mm)	Grip Dia. (mm)		Jaw STROKE Diameter. (mm)	PLUNGER STROKE (mm)	Permissible Input Force KN(kgf)	Max. Static Gripping Force KN(kgf)	Max. r.p.m min ⁻¹ (r.p.m)	weight kgf	GD ² N·m ² (kgf·m ²)	Operating Cylinder	Max. Hydraulic Pressure MPa(kgf/cm ²)	Operating HARD JAW	KITAGAWA Model
		Max.	Min.											
MH-206	52	175	16.5	6.4	15	24.7(2551)	57.3(5812)	6000	11.9	2.26(0.23)	SH-15052 (SYH-1552)	1.78(18.1)	HB06A1	-
MH-208	66	210	23	7.4	17.5	36.4(3596)	87(8872)	5000	23	5.6(0.57)	SH-17068 (SYH-1768)	2.34(23.9)	HB08A1	-
MH-210	82	254	30	8.8	19	49(4976)	126.6(12848)	4500	32	1.26(0.13)	SH-19082 (SYH-2091)	2.74(28)	HB10A1	-
MH-212	103	315	54	10.6	23	55(5608)	144(14686)	3000	55.3	28.93(2.95)	SH-25011	1.85(19.0)	HB12N1	-
MH-218	166.5	457	73	11.5	25	71(7240)	180(18355)	2000	170	174.6(17.8)	SYHL-2816	2.3(24)	HB15A2	-
MH-221	166.5	530	105	10.6	23	90(9177)	220(22460)	1700	228	342.1(34.7)	SYHL-2816	2.86(29.1)	HB18B2	-
MH-224	190	610	120	10.6	23	90(9177)	234(23861)	1400	293	651(66.4)	SHL-39024	1.57(16.1)	HB18B2	-

※ Maximum turning speed is based on actual measurements.

※ Specifications are subject to change without notice.