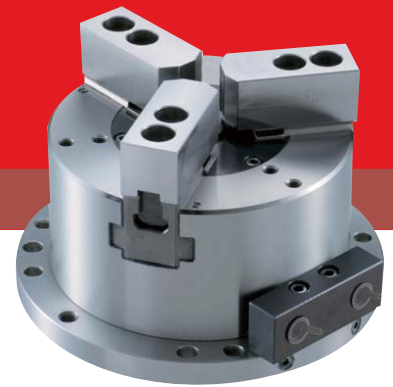


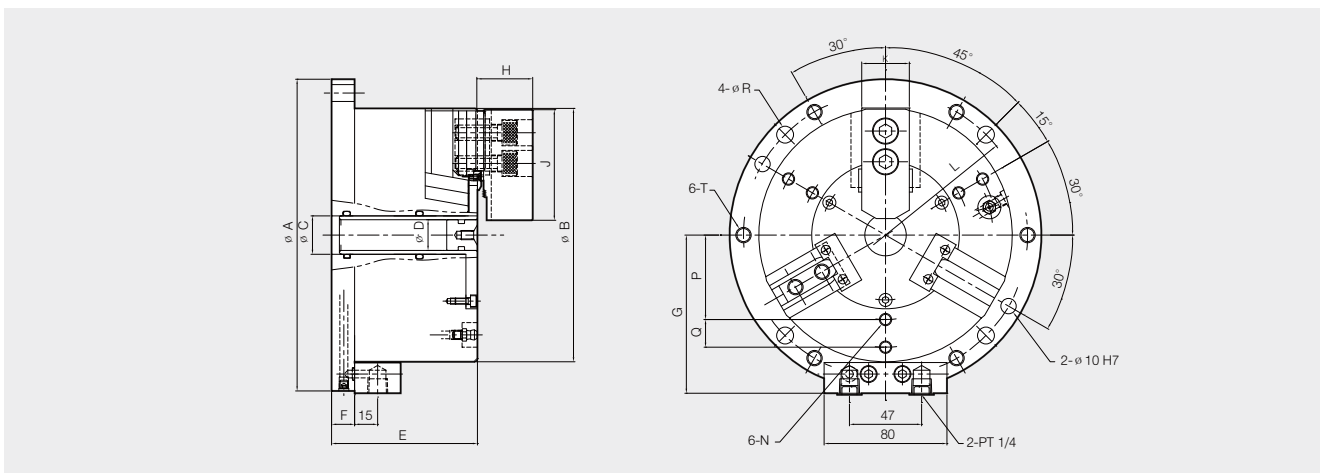
# MCA

## Stationary Pneumatic Chuck



**PNEUMATIC CHUCK**

- Compact design with self contained cylinder allows more clearance
- Suitable for long workpieces
- Compatible with air blowing
- Relief valve ensures safe operation during power loss



### Dimensions

	ΦA	ΦB	ΦC	ΦD	E	F	G	H	J	K	N	L (P.C.D)	Q	ΦR	T
MCA-04	148	110	20	-	90	15	75.5	27	55	23	M8	130	-	9	M10
MCA-06	203	165	25	20	95	15	103	36	72	31	M8	185	18	11	M10
MCA-08	248	210	36	30	106	15	125.5	42	95	35	M8	230	25	11	M10
MCA-10	300	254	50	43	110	16	147.5	46	110	40	M10	280	30	13	M12

### Specifications

	CLAMPING FORCE (Kgf) Pneumatic 6bar	Jaw stroke mm(dia)	Chucking diameter (mm)		Max. Pneumatic pressure (bar)	Weight (Kg)
			MAX. (mm)	MIN. (mm)		
MCA-04	765	5.2	110	10	7	7.3
MCA-06	2140	5.2	165	23	7	16
MCA-08	3300	6.3	210	30	7	28
MCA-10	4800	6.3	254	50	7	43