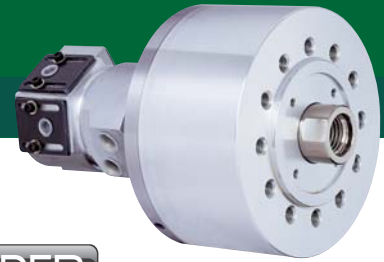


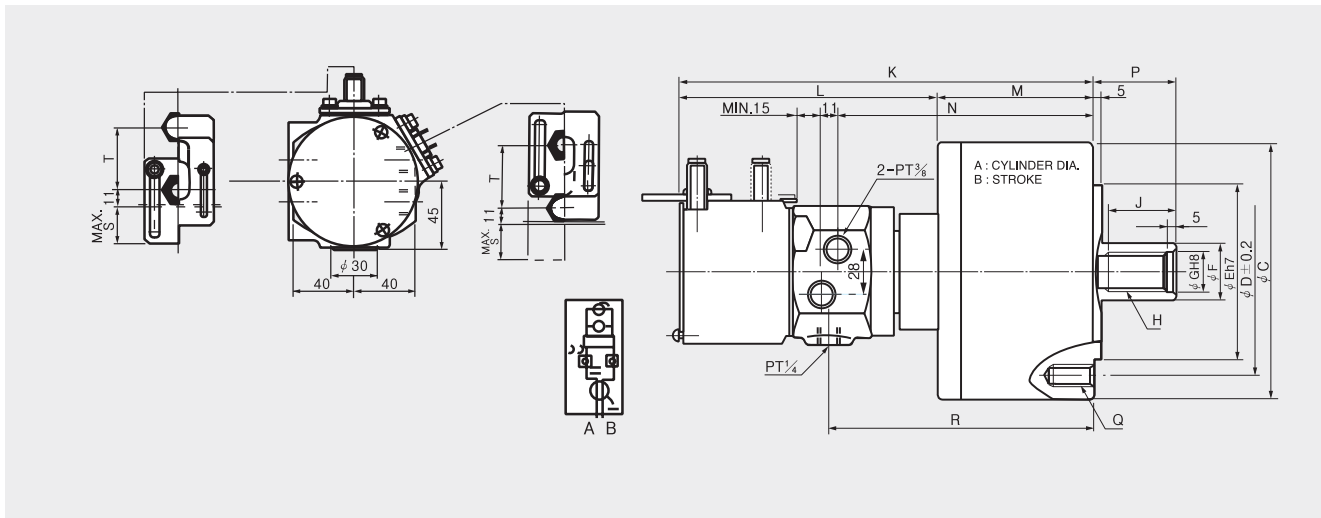
Y-RE

Closed-Center Hydraulic Cylinder with Proximity Switch (75mm-125mm)



- Closed-centered hydraulic cylinder with built in lock and relief valves and proximity switch

HYDRAULIC CYLINDER



Dimensions

	A	B	C	D	E	F	G	H	J	K	L	M	N	Pmax.	Pmin.	Q	R	S	T
Y-0715RE	75	15	104	90	65	30	21	M20×2.5	32	227	161	66	127	46	31	6-M6×20	133	23	41
Y-1020RE	105	20	135	100	80	30	21	M20×2.5	35	252	163	89	152	45	25	6-M10×20	158	23	41
Y-1025RE	105	25	135	100	80	30	21	M20×2.5	35	257	163	94	157	45	20	6-M10×20	163	23	41
Y-1225RE	125	25	160	130	110	35	25	M24×3.0	44	260	163	97	160	51	26	6-M12×24	166	23	41
Y-1240RE	125	40	160	130	110	35	25	M24×3.0	44	306	194	112	175	65	25	6-M12×24	181	-	-

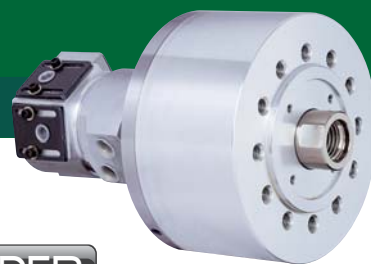
Specifications

	PISTON STROKE (mm)	Piston Surface Area		Piston Force		Max. Operating Pressure MPa(kgf/cm ²)	Total Leakage ℓ(min)	Max. r.p.m min ⁻¹ (r.p.m)	weight kgf	GD ² N·m ² (kgf·m ²)	KITAGAWA Model
		push cm ²	pull cm ²	push KN(kgf)	pull KN(kgf)						
Y-0715RE	15	44	37	16.6(1693)	13.9(1417)	4.0(40.8)	0.8	6000	4.5	0.118(0.012)	Y-0715RE
Y-1020RE	20	84	79	32.0(3264)	29(2957)	4.0(40.8)	0.8	6000	7.6	0.49(0.05)	Y-1020RE
Y-1025RE	25	84	79	32.0(3264)	29(2957)	4.0(40.8)	0.8	6000	7.7	0.49(0.05)	Y-1025RE
Y-1225RE	25	120	113	46.0(4692)	42(4283)	4.0(40.8)	0.8	6000	10.5	0.88(0.09)	Y-1225RE
Y-1240RE	40	120	113	46.0(4692)	42(4283)	4.0(40.8)	0.8	6000	11	0.88(0.09)	Y-1240RE

※ Total leakage pressure: 3.0 Mpa (30.6 kgf/cm²) at 50 i εC. ※ Specifications are subject to change without notice.

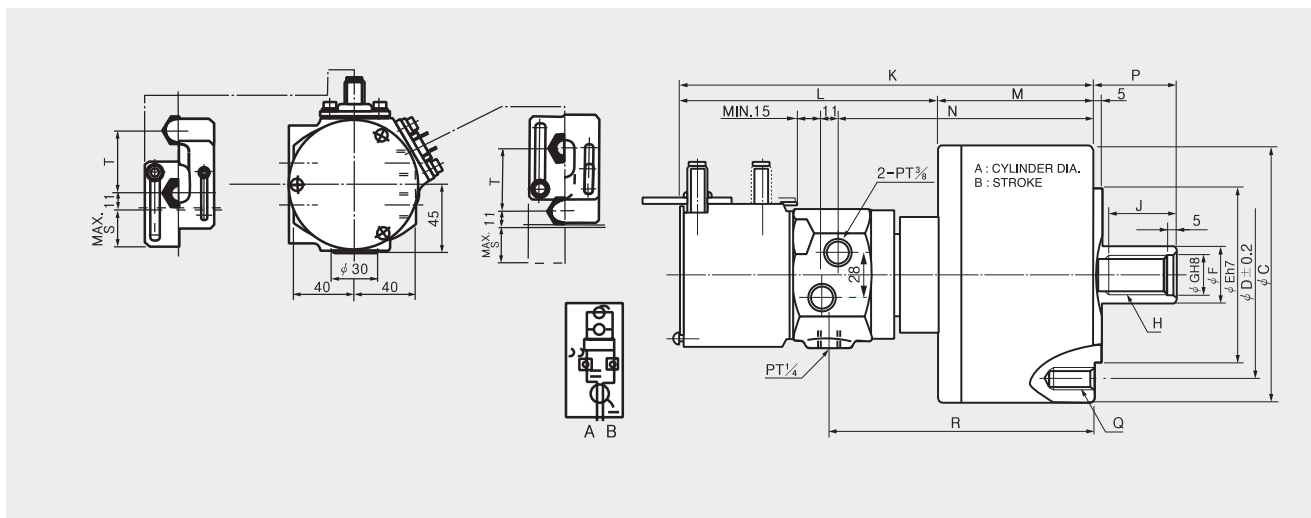
Y-RE

Closed-Center Hydraulic Cylinder with Proximity Switch (150mm-250mm)



- Closed-centered hydraulic cylinder with built in lock and relief valves and proximity switch

HYDRAULIC CYLINDER



Dimensions

	A	B	C	D	E	F	G	H	J	K	L	M	N	Pmax.	Pmin.	Q	R	S	T
Y-1530RE	150	30	190	130	110	45	31	M30×3.5	45	269	163	106	169	56	26	12-M12×24	175	23	41
Y-1550RE	150	50	190	130	110	45	31	M30×3.5	55	320	194	126	189	80	30	12-M12×24	195	-	-
Y-2035RE	200	35	245	145	120	55	37	M36×4.0	60	288	166	122	183	69	34	12-M16×30	189	28	46
Y-2050RE	200	50	245	145	120	55	37	M36×4.0	60	333	192	141	202	80	30	12-M16×30	208	-	-
Y-2560RE	250	60	305	220	160	65	44	M42×3.0	65	379	207	172	227	85	25	12-M20×35	233	-	-

Specifications

	PISTON STROKE (mm)	Piston Surface Area		Piston Force		Max. Operating Pressure MPa(kgf/cm ²)	Total Leakage ℓ(min)	Max. r.p.m min ⁻¹ (r.p.m)	weight kgf	GD ² N·m ² (kgf·m ²)	KITAGAWA Model
		push cm ²	pull cm ²	push KN(kgf)	pull KN(kgf)						
Y-1530RE	30	174	160	66.0(6732)	60(6118)	4.0(40.8)	0.8	5500	14	1.86(0.19)	Y-1530RE
Y-1550RE	50	174	160	66.0(6732)	60(6118)	4.0(40.8)	0.8	5500	14.8	1.96(0.20)	Y-1550RE
Y-2035RE	35	312	290	117.0(11934)	108(11013)	4.0(40.8)	0.8	5500	22.5	3.82(0.39)	Y-2035RE
Y-2050RE	50	312	290	117.0(11934)	108(11013)	4.0(40.8)	0.8	5500	23.5	4.12(0.42)	Y-2050RE
Y-2560RE	60	515	482	193(19541)	180(18289)	4.0(40.8)	0.8	2000	-	-	-

※ Total leakage pressure: 3.0 Mpa (30.6 kgf/cm²) at 50 i. εC. ※ Specifications are subject to change without notice.