

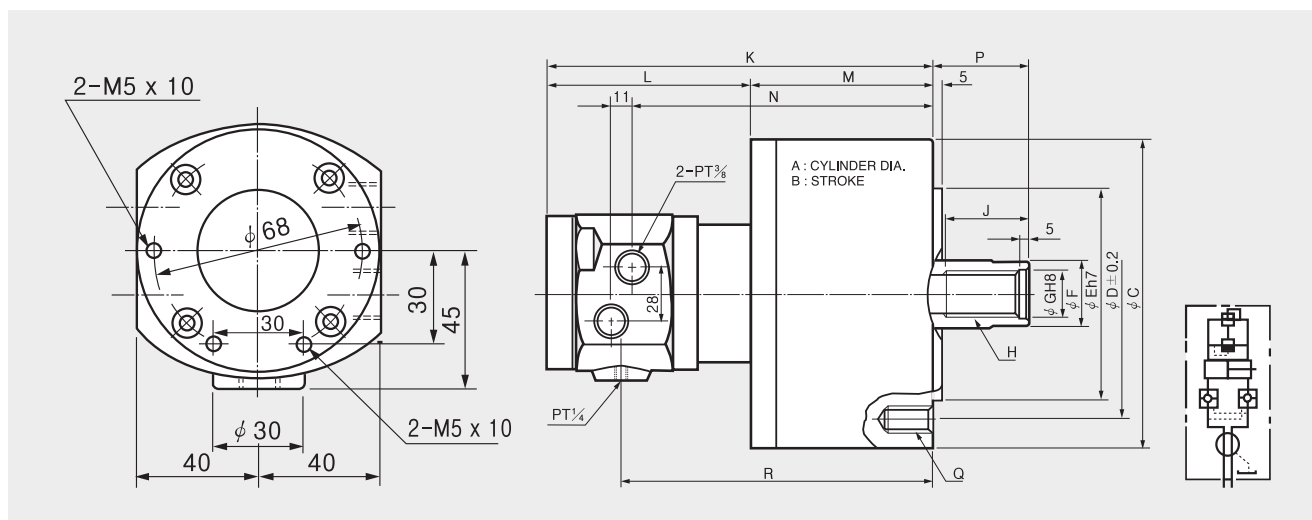
Y-R

Standard Closed-Center Hydraulic Cylinder



- Closed-centered hydraulic cylinder with built in lock and relief valves

HYDRAULIC CYLINDER



Dimensions

| | A | B | C | D | E | F | G | Hmax. | J | K | L | M | N | Pmax. | Pmin. | Q | R |
|---------|-----|----|-----|-----|-----|----|----|---------|----|-----|-----|-----|-----|-------|-------|-----------|-----|
| Y-0715R | 75 | 15 | 104 | 90 | 65 | 30 | 21 | M20×2.5 | 35 | 172 | 106 | 66 | 127 | 46 | 31 | 6-M6×20 | 133 |
| Y-1020R | 105 | 20 | 135 | 100 | 80 | 30 | 21 | M20×2.5 | 35 | 197 | 108 | 89 | 152 | 45 | 25 | 6-M10×20 | 158 |
| Y-1225R | 125 | 25 | 160 | 130 | 110 | 35 | 25 | M24×3.0 | 44 | 205 | 108 | 97 | 160 | 51 | 26 | 6-M12×24 | 166 |
| Y-1530R | 150 | 30 | 190 | 130 | 110 | 45 | 31 | M30×3.5 | 45 | 214 | 108 | 106 | 169 | 56 | 26 | 12-M12×24 | 175 |
| Y-2035R | 200 | 35 | 245 | 145 | 120 | 55 | 37 | M36×4.0 | 60 | 228 | 106 | 122 | 183 | 69 | 34 | 12-M16×30 | 189 |

Specifications

| | PISTON STROKE (mm) | Piston Surface Area | | Piston Force | | Max. Operating Pressure MPa(kgf/cm ²) | Total Leakage ℓ(min) | Max. r.p.m min ⁻¹ (r.p.m) | weight kgf | GD ² N·m ² (kgf·m ²) | KITAGAWA Model |
|---------|--------------------|----------------------|----------------------|--------------|--------------|---|----------------------|--------------------------------------|------------|--|----------------|
| | | push cm ² | pull cm ² | push kN(kgf) | pull kN(kgf) | | | | | | |
| Y-0715R | 15 | 44 | 37 | 16.6(1693) | 13.9(1417) | 4.0(40.8) | 0.8 | 6000 | 4.0 | 0.118(0.012) | Y-0715R |
| Y-1020R | 20 | 86 | 79 | 2.0(3264) | 29(2957) | 4.0(40.8) | 0.8 | 6000 | 7.1 | 0.49(0.05) | Y-1020R |
| Y-1225R | 25 | 122 | 113 | 46.0(4692) | 42(4283) | 4.0(40.8) | 0.8 | 6000 | 10 | 0.88(0.09) | Y-1225R |
| Y-1530R | 30 | 176 | 160 | 66.0(6732) | 60(6118) | 4.0(40.8) | 0.8 | 5500 | 13.5 | 1.86(0.19) | Y-1530R |
| Y-2035R | 35 | 314 | 290 | 117.0(11934) | 108(11013) | 4.0(40.8) | 0.8 | 5500 | 22 | 3.82(0.39) | Y-2035R |

※Total leakage pressure: 3.0 Mpa (30.6 kgf/cm²) at 50 ℓ/min. ※Specifications are subject to change without notice.