

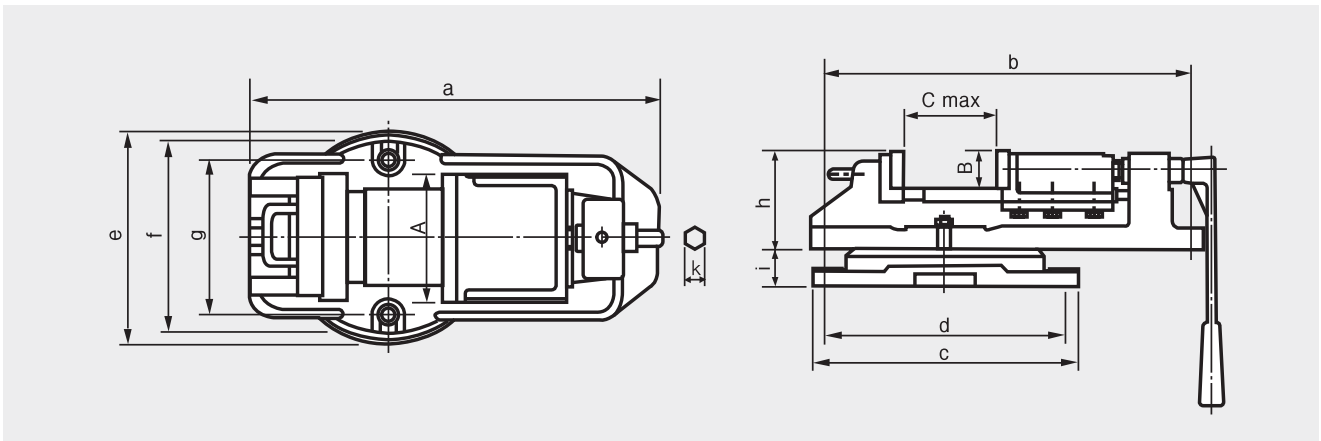
VS

Standard Machine Vise



■ Standard machine vise

MACHINE VISE



Dimensions & Specifications

	A	B	C	a	b	c	d	e	f	g	h	i	j	k	WEIGHT(kgf)		Operating Swivel Base
															BODY	TABLE	
VS-150(6")	150	45	110	470	440	320	288	245	220	180	115	45	283	18	34.0	10.8	SB-150T
VS-175(7")	175	50	132	547	518	350	318	280	245	198	120	50	340	21	46.7	14.5	SB-175T
VS-200(8")	200	55	160	618	573	400	358	316	280	228	128	55	340	21	57.5	20.5	SB-200T
VS-250(10")	250	75	199	760	716	450	406	370	332	278	168	60	380	22	110.0	36.5	SB-250T

※ Standard accessories include handle (1ea), socket(1ea), T-blocks(2ea), T-bolts(2sets).

※ Swivel-base is optional.

※ Specifications are subject to change without notification.