

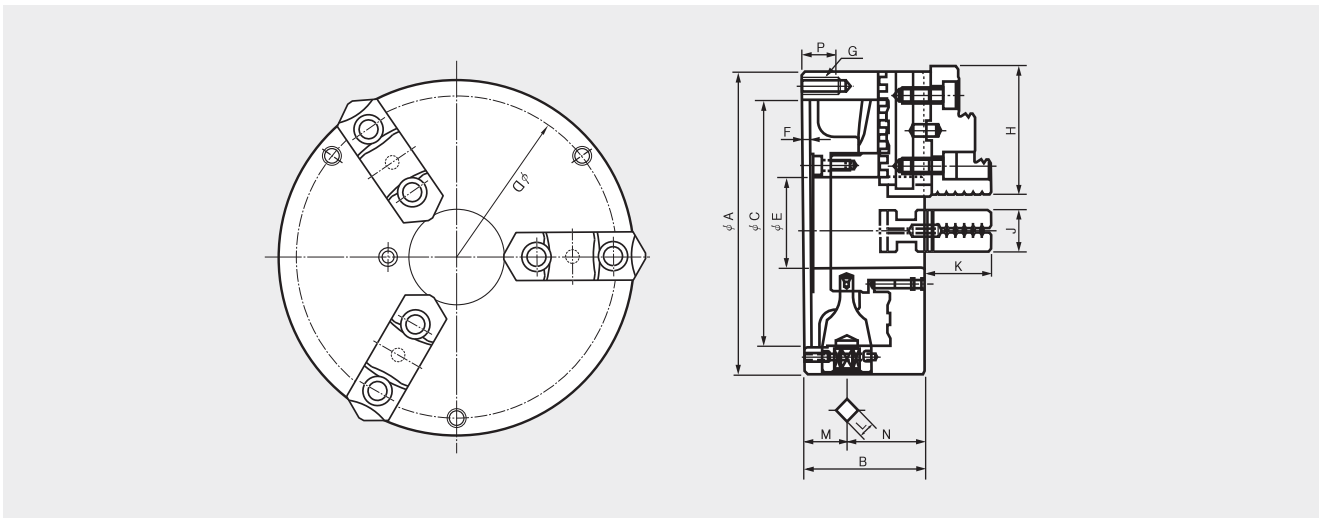
# TC

## Standard Scroll Chuck (Soft and Hard top Jaws)



- Standard 2-piece jaw scroll chuck  
(incl. soft and hard top jaws)

### SCROLL CHUCK



#### Dimensions

	A	B	C	D	E	F	G	H	J	K	L	M	N	P	Mounting Bolt
TC-190(7")	192	78.7	155	172	57	5	3-M10	80.5	28	42.8	11	27.5	51.2	20	3-M10
TC-230(9")	232	83.7	190	210	75	6	3-M12	90.5	32	53.8	12	29.5	54.2	25	3-M12
TC-273(10")	273	88	230	250	89	6	3-M12	103.5	35	57.82	12	31.5	56.5	25	3-M12
TC-310(12")	310	96	260	285	100	7	3-M12	115.5	40	56.08	14	31.5	64.5	25	3-M12

#### Specifications

	Max. Static Gripping dia. KN(kgf)	Max. r.p.m min <sup>-1</sup> (r.p.m)	weight kgf	GD <sup>2</sup> N·m <sup>2</sup> (kgf·m <sup>2</sup> )	(Gripping diameter)		Handle Torque N·m(kgf·m)
					(External) φ mm	(Internal) φ mm	
TC-190(7")	31 (3161)	3500	12.2	2.35 (0.24)	4-180	56-170	107.9 (11.0)
TC-230(9")	37 (3773)	2900	21.2	6.27 (0.64)	5-220	62-210	147 (15.0)
TC-273(10")	46 (4691)	2500	28	9.90 (1.01)	5-260	70-250	176.5 (18.0)
TC-310(12")	55 (5608)	2200	41	23.0 (2.35)	10-300	86-290	206 (21.0)

※Specifications are subject to change without notice.