

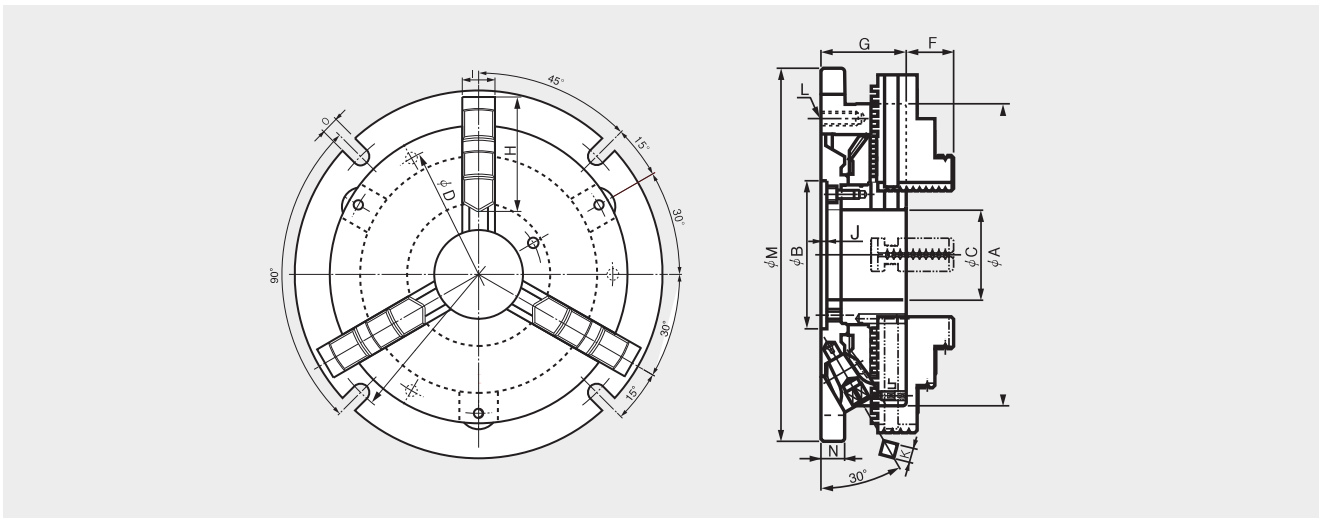
# SL

## Standard Slotter Chuck (Hard Jaws)



- Standard slotter chuck with solid jaw  
(incl. internal and external hard jaws)

### SLOTTER CHUCK



#### Dimensions

	A	B(H6)	C	V	E	F	G	H	I	J	K	L	M	N	O
SL-08	215	110	60	190.5	240	35.04	64	80	25	4	11	M10	266	17	13
SL-10	255	125	76	230	286	40.02	72	98	28	4.5	12	M12	315	20	15
SL-12	305	160	100	280	340	45.08	76	110	30	5	14	M12	370	22	17

#### Specifications

	Max. Static Gripping dia. KN(kgf)	weight kgf	(Gripping diameter)		Handle Torque N·m(kgf·m)
			(External) φ mm	(Internal) φ mm	
SL-08	37 (3,800)	17.6	58~174	4~182	117.7 (13)
SL-10	46 (4,700)	27.7	68~212	4~220	176.5 (18)
SL-12	55 (5,620)	40.0	80~263	5~266	196.2 (20)

\* Specifications are subject to change without notice.