

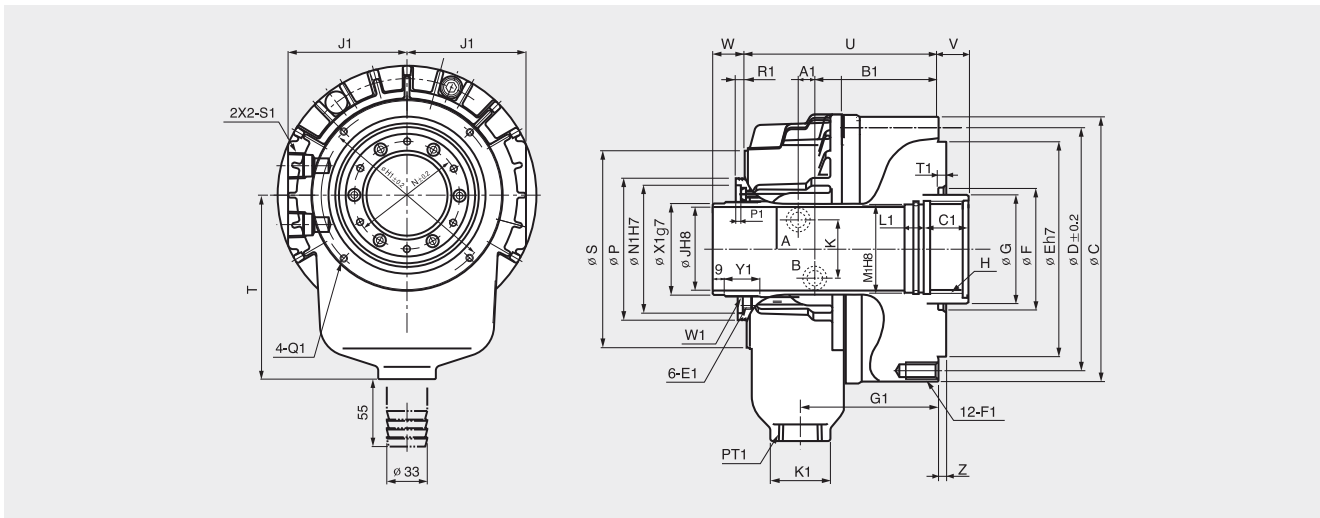
SH

Standard Short-Body Open-Center Hydraulic Cylinder



- Short-body high-speed open-centered hydraulic cylinder with built in lock and relief valves

HYDRAULIC CYLINDER



Dimensions

	C	D	E	F	G	Hmax.	J	K	N	P	S	T	U	Vmax.	Vmin.	Wmax.	Wmin.	Z	A1	B1
SH-13046	165	130	100	80	65	M52x2.0	46	40	64	85	116	120	142	15	0	40	25	5	8.5	103
SH-15052	190	170	130	85	70	M60x2.0	52	40	73	96	135	130	138	22	0	47	25	5	9.0	97.5
SH-17068	210	190	160	120	85	M75x2.0	68	48	88	111	154	150	155	25	0	50	25	5	10	108
SH-18077	218	190	160	120	95	M85x2.0	77	48	108	121	164	165	167	25	0	50	25	5	10	119.5
SH-19082	223	190	160	120	100	M90x2.0	82	58	103	126	175	166	174	25	0	44	19	5	11.5	122
SH-25011	310	275	230	166	140	M130x2.0	117.5	46	138	170	230	107.5	231	18	-5	48	25	6	19	150

	C1	E1	F1DP'	G1	H1	J1	K1	L1	M1	N1	P1	Q1	R1	S1	T1	W1	X1	Y1
SH-13046	30	M6	M10x20	111	98	82	47	15	48	76	4	M5x6	6	PT 1/2	6	M52x1.5	50	24
SH-15052	30	M6	M10x20	101	110	92	47	15	55	85	4	M6x7	7	PT 1/2	5	M58x1.5	56	20
SH-17068	35	M6	M10x20	113	145	97	47	15	70	100	4	M6x10	7	PT 1/2	5	M74x1.5	71.5	26
SH-18077	35	M6	M10x20	125	155	102	47	15	80	108	4	M6x10	7	PT 1/2	5	M84x2.0	81	26
SH-19082	35	M6	M10x20	129.5	160	105	47	15	85	11	4	M6x10	7	PT 1/2	6	M89x2.0	86	26
SH-25011	45	M6	M16x32	163.5	206	140	55	20	123	150	5.5	M6x12	7.5	PT 1/2	6	M124x2.0	122	29

Specifications

	Available I.D.	Cylinder Diameter(mm)	PISTON STROKE(mm)	Piston force		Max. Operating Pressure MPa(kgf/cm ²)	Max. rpm min ⁻¹ (r.p.m)	GD ² N·m ² (kgf·m ²)	weight kgf	Total Leakage l/min
				push KN(kgf)	pull KN(kgf)					
SH-13046	46	135	15	42.3(4285)	38.1(3865)	4.0(40.8)	7000	0.2(0.021)	10	3.0
SH-15052	52	156	22	60(6118)	56(5710)	4.0(40.8)	6200	0.44(0.045)	14	3.9
SH-17068	68	170	25	63(6531)	59.8(6060)	4.0(40.8)	5600	0.65(0.067)	16.5	4.0
SH-18077	77	185	25	75.3(7632)	69.6(7087)	4.0(40.8)	5000	0.83(0.084)	18	4.2
SH-19082	82	190	25	178.1(7924)	72.5(7350)	4.0(40.8)	4800	0.95(0.097)	25	4.5
SH-25011	117.5	255	23	132(13390)	121(12305)	4.0(40.8)	3000	1.9(0.193)	50	7.0

※ Specifications are subject to change without notice.