

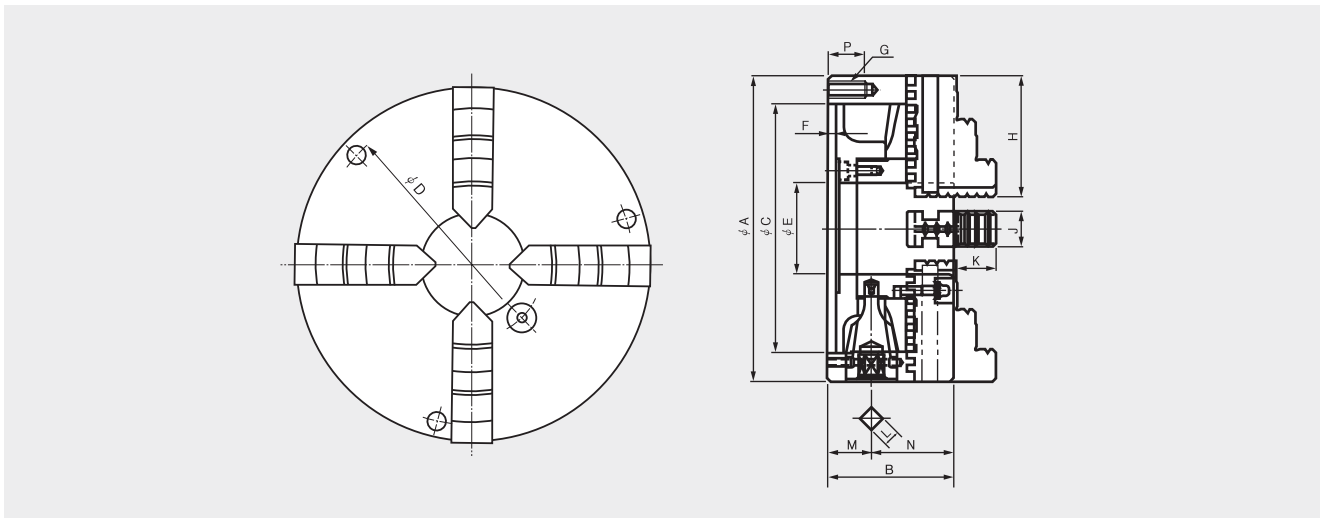
# SF

## 4-Jaw Scroll Chuck (Hard-Jaws)



- Four-jaw scroll chuck with solid jaws (incl. internal and external hard jaws)

### SCROLL CHUCK



#### Dimensions

	A	B	C(H6)	D	E	F	G	H	J	K	L	M	N	P
SF-190(7")	192	75	155	172	57	5	3-M10	75	22	30.06	11	27.5	47.5	20
SF-230(9")	232	84	190	210	75	6	3-M12	85	24	35.04	12	29.5	54.5	25
SF-273(10")	273	86	230	250	89	6	3-M12	98	28	40.02	12	31.5	54.5	25
SF-310(12")	310	96	260	285	100	7	3-M12	110	30	45.08	14	31.5	64.5	25

#### Specifications

	Max. Static Gripping dia. KN(kgf)	Max. rpm min <sup>-1</sup> (r.p.m)	weight kgf	GD <sup>2</sup> N·m <sup>2</sup> (kgf·m <sup>2</sup> )	(Gripping diameter)		Handle Torque N·m(kgf·m)
					(External) φ mm	(Internal) φ mm	
SF-190(7")	31 (3161)	3500	12.5	2.45 (0.25)	4~180	56~170	107.9 (11.0)
SF-230(9")	37 (3773)	2900	21.5	6.37 (0.65)	5~220	62~210	147 (15.0)
SF-273(10")	46 (4691)	2500	28	9.90 (1.01)	5~260	70~250	176.5 (18.0)
SF-310(12")	55 (5608)	2200	41	23.0 (2.35)	10~300	86~290	206 (21.0)

※ Specifications are subject to change without notice.