

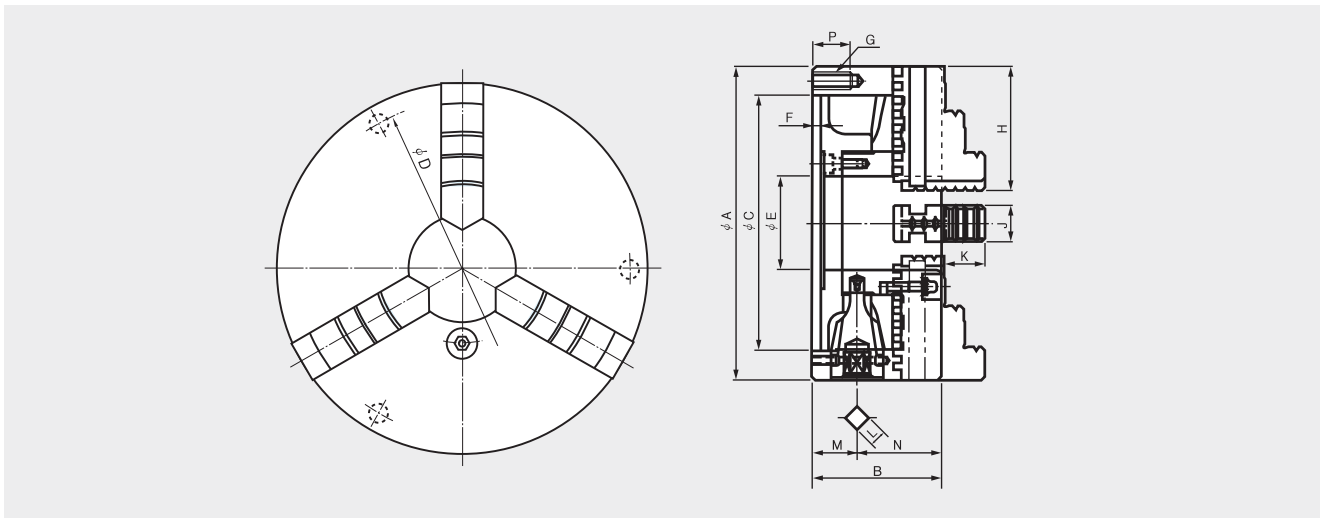


Standard Scroll Chuck (Hard-Jaws) (85mm -192mm)



- Standard solid jaw scroll chuck
(incl. internal and external hard jaws)

SCROLL CHUCK



Dimensions

	A	B	C(H6)	D	E	F	G	H	J	K	L	M	N	P
SC-85(3")	85	45	60	73	16	3.5	3-M6	35	11	15.5	7	17	27.1	13
SC-110(4")	110	58	80	95	24	4.5	3-M8	44	14	18.75	8	24.5	32.35	16
SC-130(5")	130	60	100	115	34	4.5	3-M8	50	16	20.1	8	22.5	37	16
SC-165(6")	167	65	130	147	45	5	3-M10	65	19	25.07	10	24	41	20
SC-190(7")	192	75	155	172	57	5	3-M10	75	22	30.06	11	27.5	47.5	20

Specifications

	Max. Static Gripping dia. KN(kgf)	Max. r.p.m min ⁻¹ (r.p.m)	weight kgf	GD ² N·m ² (kgf·m ²)	(Gripping diameter)		Handle Torque N·m(kgf·m)
					(External) φ mm	(Internal) φ mm	
SC-85(3")	9 (918)	2500	1.5	0.05 (0.005)	2~70	24~64	29.4 (3.0)
SC-110(4")	12 (1224)	2500	3.1	0.17 (0.017)	3~95	29~84	44.1 (4.5)
SC-130(5")	15 (1530)	2500	4.4	0.35 (0.036)	3~110	33~100	63.7 (6.5)
SC-165(6")	31 (3161)	4000	11.4	1.18 (0.12)	3~160	48~150	88.3 (9.0)
SC-190(7")	31 (3161)	3500	12.2	2.35 (0.24)	4~180	56~170	107.9 (11.0)

※Specifications are subject to change without notice.

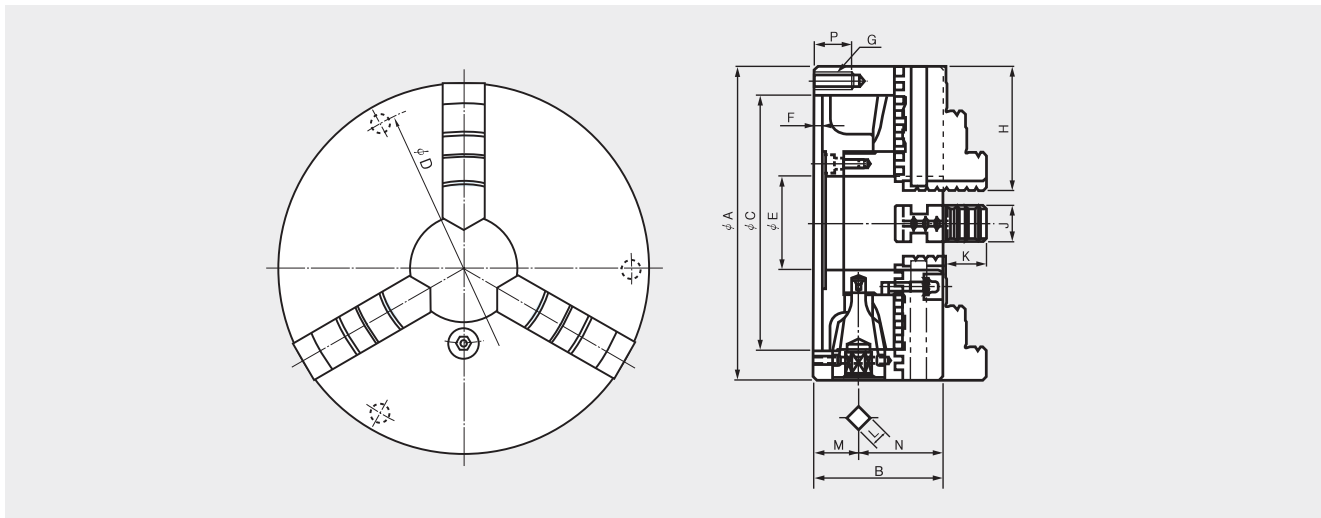


Standard Scroll Chuck (Hard-Jaws) (232mm - 405mm)



- Standard solid jaw scroll chuck
(incl. internal and external hard jaws)

SCROLL CHUCK



Dimensions

	A	B	C(H6)	D	E	F	G	H	J	K	L	M	N	P
SC-230(9")	232	84	190	210	75	6	3-M12	87	24	35.04	12	29.5	54.5	25
SC-273(10")	273	86	230	250	89	6	3-M12	98	28	40.02	12	31.5	54.5	25
SC-310(12")	310	96	260	285	100	7	3-M12	110	30	45.08	14	31.5	64.5	25
SC-355(14")	355	110	300	328	105	8	6-M12	133	35	62.98	14	42.4	67.6	36
SC-405(16")	405	114.5	345	375	130	8	6-M12	133	35	63	15	43	71.5	36

Specifications

	Max. Static Gripping dia. KN(kgf)	Max. rp.m min ⁻¹ (rp.m)	weight kgf	GD ² N·m ² (kgf·m ²)	(Gripping diameter)		Handle Torque N·m(kgf·m)
					(External) φ mm	(Internal) φ mm	
SC-230(9")	37 (3773)	2900	21.2	6.27 (0.64)	5~220	62~210	147 (15.0)
SC-273(10")	46 (4691)	2500	28	9.90 (1.01)	5~260	70~250	176.5 (18.0)
SC-310(12")	55 (5608)	2200	41	23.0 (2.35)	10~300	86~290	206 (21.0)
SC-355(14")	40.5 (4130)	1500	54	37.2 (3.8)	25~315	107~290	225.6 (23.0)
SC-405(16")	45 (4589)	1500	74	67.6 (6.9)	25~346	113~324	245 (25.0)

※Specifications are subject to change without notice.