

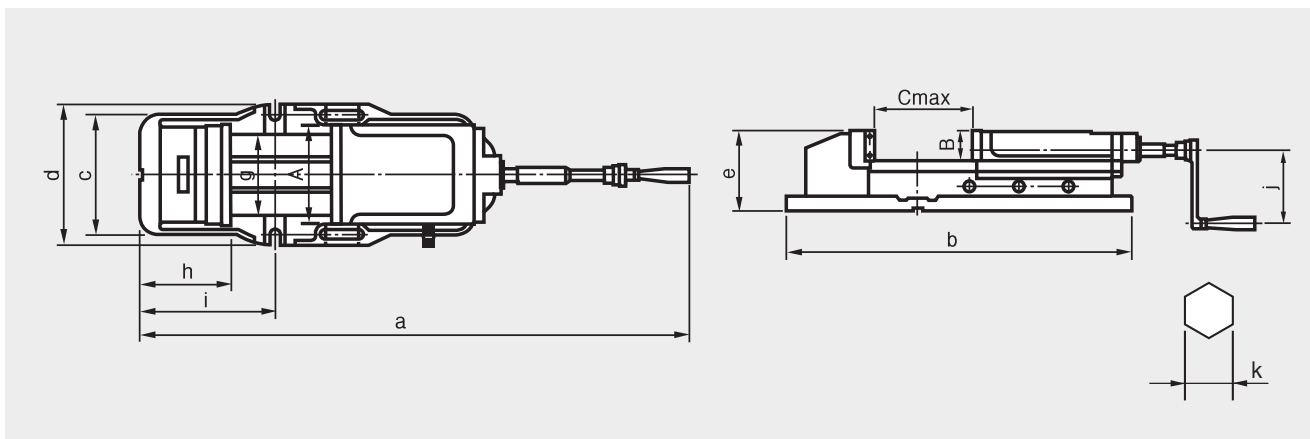
# MMV

## Mechanical Machine Quick Vise



■ 3-step mechanical machine quick vise

**MACHINE VISE**



### Dimensions & Specifications

	A	B	C	a	b	c	d	e	g	h	i	j	k	GRIP TORQUE Max.(kg)	WEIGHT(kgf)		Operating Swivel Base
															BODY	TABLE	
MMV-150Q(6")	150	51	300	800	620	200	240	133	116	125	210	130	19	4,400	56.0	16.0	VS-175T
MMV-200Q(8")	200	62	300	900	700	240	280	162	160	165	266	130	19	6,500	94.0	23.0	VS-200T

※ Specifications are subject to change without notification.