

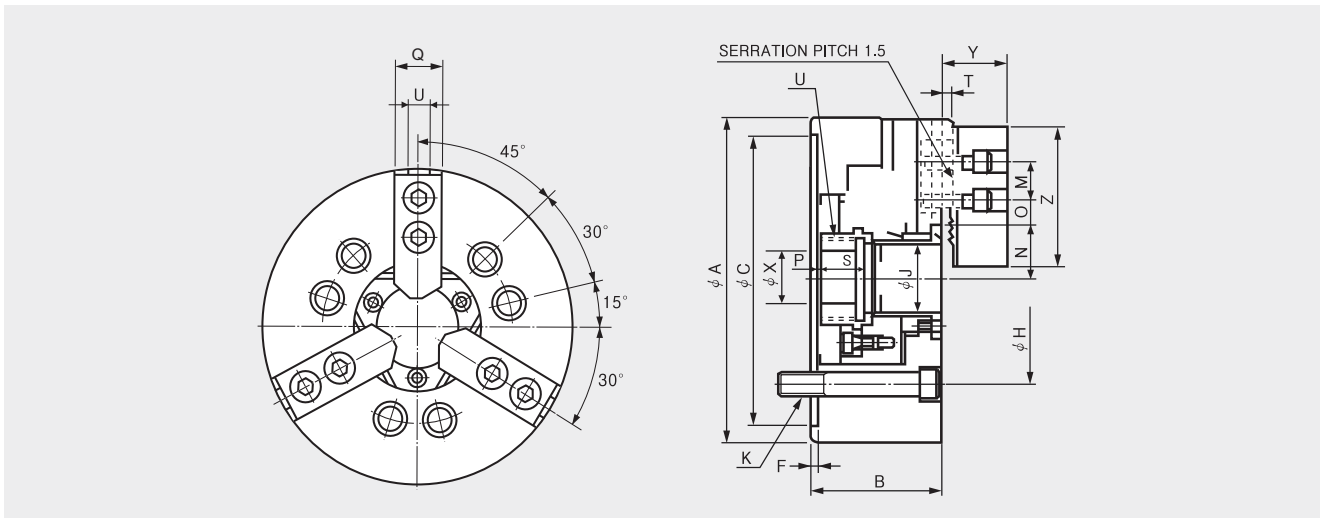
HSL

3-Jaw High-Speed Open-Center Long-Stroke Chuck



- Long-stroke high-speed 3-jaw wedge-style open-center power chuck

HYDRAULIC CHUCK



Dimensions

	A	B	C(H6)	F	H	J	K	M	Nmax.	Nmin.	Omax.	Omin.	Pmax.	Pmin.	Q	R	S	T	Umax.	W	X	Y	Z
HSL-06	169	87	140	5	104.8	33	3-M10	20	39.25	29.25	16.75	9.25	10	-5	31	12	24	2	M38x1.5	45	20	29	72
HSL-08	215	99	170	5	133.4	46	3-M10	25	52.3	39.6	70.5	11.5	15.5	-6.5	35	14	22.5	2	M55x2.0	66	37.5	39	95
HSL-10	254	110	220	5	171.4	53	6-M16	30	62	46.9	23.5	12	14.5	-10.5	40	16	25	2	M65x2.0	80	45	43	110
HSL-12	304	130	220	6	171.4	63	6-M16	30	72.4	54.4	36	14	15	-15	49	21	28	3	M75x2.0	83	50	51.5	111

※ Blank and machined draw-nuts are available.

※ "U" is Max. Draw nut size.

Specifications

	Thru Hole Diameter. (mm)	Grip Dia. (mm)		Jaw STROKE Diameter. (mm)	PLUNGER STROKE (mm)	Permissible Input Force KN(kgf)	Max. Static Gripping Force KN(kgf)	Max. rp.m min ⁻¹ (rpm.)	weight kgf	GD ² N · m ² (kgf · m ²)	Operating Cylinder	Max. Hydraulic Pressure MPa(kgf/cm ²)	Operating HARD JAW	KITAGAWA Model
		Max.	Min.											
HSL-06	33	169	28	20	15	27.9 (2845)	31.2 (3182)	4500	14	1.67 (0.17)	SH-13046 (SYH-1246)	3.40 (34.7)	HB06A1	BL-206
HSL-08	46	215	32	25	22	41.1 (4191)	49.0 (4997)	3300	25	7.75 (0.79)	SH-15052 (SYH-1552)	2.99 (30.5)	HB08A1	BL-208
HSL-10	53	254	42	30	22	53.8 (5486)	63.0 (6427)	3000	45	12 (1.2)	SH-18077 (SYH-1877)	3.20 (32.6)	HB10A1	BL-210
HSL-12	63	304	43	35	25	69.3 (7067)	80.4 (8199)	2200	78	36 (3.67)	SYH-2091	3.22 (32.8)	HB12N1	BL-212

※ Maximum turning speed is based upon actual measurement.

※ Specifications are subject to change without notice.