

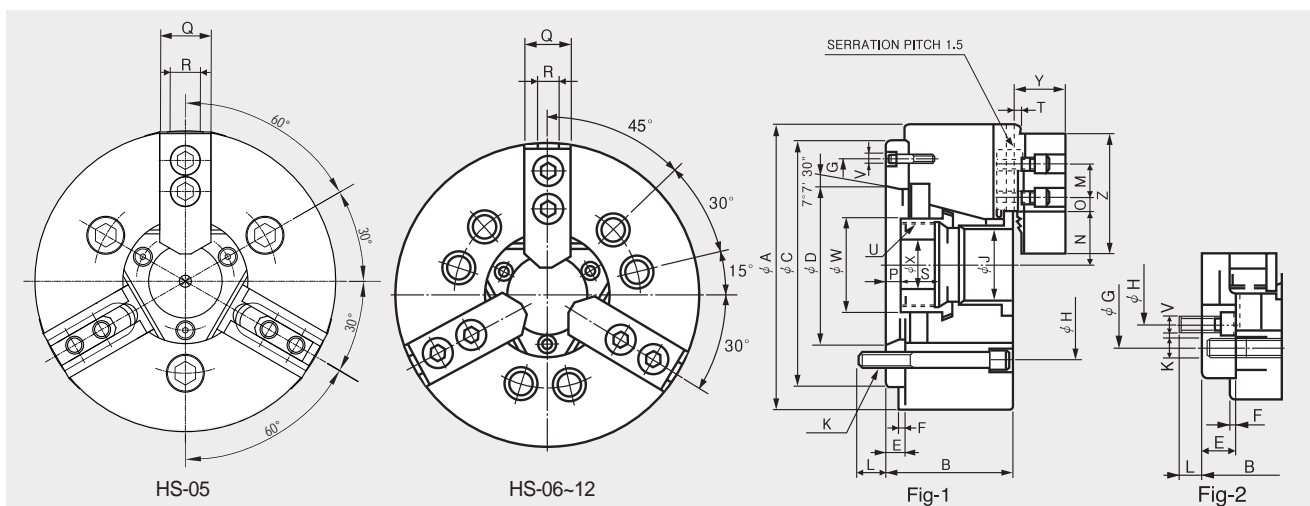
HS-A

3-Jaw High-Speed Open-Center Chuck with Adaptor



- Standard high-speed 3-jaw wedge-style open-center power chuck with adaptor

HYDRAULIC CHUCK



Dimensions

	A	B	C(H6)	D	E	F	G	H	J	K	L	M	Nmax.	Nmin.	Omax.	Omin.	Pmax.	Pmin.	Q	R	S	T	Umax.	V	W	X	Y	Z
HS-05A05	135	72	110	82.56	16	4	104.78	104.78	33	3-M10x60L	13	14	26.5	23.8	19.75	7.75	17	7	23	10	20	2	M40x15P	3xM6	47	-	26	54
HS-06A05	169	91	140	82.563	15	5	116	104.8	46	6-M10	16	20	32	29.25	22.75	9.25	26	14	31	12	19	2	M55x2	3xM6	60	20	29	72
HS-08A06	210	103	170	106.375	17	5	150	133.4	52	6-M12	18	25	38.7	35	29.75	14.75	31.5	15.5	35	14	20.5	2	M60x2	6xM6	66	30	39	95
HS-10A06	254	120	220	106.375	25	5	171.4	133.4	77	6-M16	18.5	30	51	46.6	33.75	14.25	33.5	14.5	40	16	25	2	M75x2	6xM12	94	45	43	110
HS-10A08	254	113	220	139.719	18	5	190	171.4	77	6-M16	24	30	51	46.6	33.75	14.25	26.5	7.5	40	16	25	2	M85x2	6xM8	94	45	43	110
HS-12A06	304	129	220	106.375	25	6	171.4	133.4	91	6-M16	18.5	30	61.3	56	45.75	15.75	33	10	49	21	28	2	M90x2	6xM12	108	50	50.5	111
HS-12A08	304	122	220	139.719	18	6	190	171.4	91	6-M16	25	30	61.3	56	45.75	15.75	26	3	49	21	28	2	M100x2	6xM8	108	50	50.5	111

* Blank and machined draw-nuts are available.

* "U" is Max. Draw nut size.

* Refer to Fig-2 for HAS-10A06, HAS12A06.

Specifications

	Spindle Nose No.	Thru Hole Diameter. (mm)	Grip Dia. (mm) Max. Min.	Jaw STROKE Diameter. (mm)	PLUNGER STROKE (mm)	Permissible Input Force KN(kgf)	Max. Static Gripping Force KN(kgf)	Max. rp.m min ⁻¹ (rp.m.)	weight kgf	GD ² N · m ² (kgf · m ²)	Operating Cylinder	Max. Hydraulic Pressure MPa(kgf/cm ²)	Operating HARD JAW	KITAGAWA Model
HS-05A05	A2-5	33	135 12	5.4	10	17.5(1784)	36(3671)	7000	6.7	-	SYH-1036	3.43 (35.0)	HB04N11	B-205
HS-06A05	A2-5	46	169 15	5.5	12	22(2243)	57(5812)	6000	13.7	2.45 (0.25)	SYH-13046 (SYH-1246)	2.8 (28.6)	HB06A1	B-206A5
HS-08A06	A2-6	52	210 13	7.4	16	34.8(3549)	86(8769)	5000	23.6	6.9 (0.71)	SYH-15052 (SYH-1552)	2.65 (27)	HB08A1	B-208A6
HS-10A06	A2-6	77	254 31	8.8	19	43(4385)	111(11319)	4200	41.5	12.75 (1.3)	SYH-18077 (SYH-1877)	2.7 (27.5)	HB10A1	B-210A6
HS-10A08	A2-8	77	254 34	8.8	19	43(4385)	111(11319)	4200	40.0	12.65 (1.29)	SYH-18077 (SYH-1877)	2.7 (27.5)	HB10A1	B-210A8
HS-12A06	A2-6	91	304 42	10.6	23	55(5608)	144(14684)	3300	67.0	30.6 (3.12)	SYH-21091 (SYH-2091)	2.7 (27.5)	HB12N1	B-212A6
HS-12A08	A2-8	91	304 50	10.6	23	55(5608)	144(14684)	3300	64.0	30.0 (3.06)	SYH-2091	2.7 (27.5)	HB12N1	B-212A8

* Maximum turning speed is based on actual measurements.

* Specifications are subject to change without notice.