

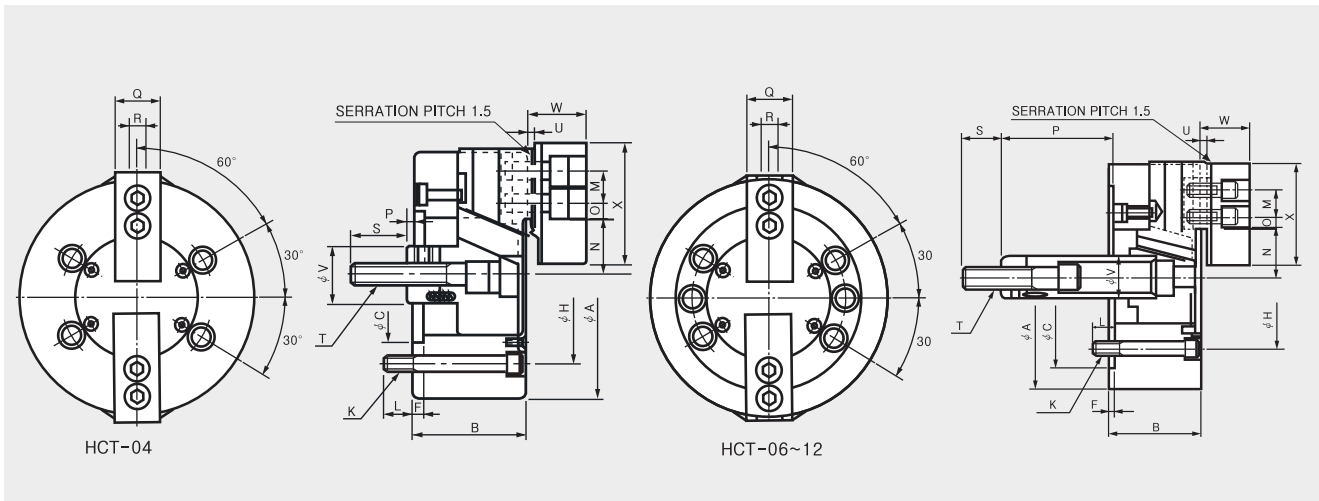
# HCT

## 2-Jaw Closed-Center Chuck



■ 2-jaw wedge-style power chuck

### HYDRAULIC CHUCK



#### Dimensions

	A	B	C(H6)	F	H	K	L	M	Nmax.	Nmin.	Omax.	Omin.	Pmax.	Pmin.	Q	R	S	T	U	V	W	X
HCT-04	110	52	60	6	80	4-M8x55	12	14	23.3	20.1	11.25	8.75	23	9	23	10	25	M10x1.5	3	26	27	55
HCT-05	135	55	80	7	100	4-M8x60	14	19	30.4	27.2	11.25	6.75	6	-8	23	10	35	M12x1.75	3	28	29	62
HCT-06	165	74	140	5	104.8	6-M10x70	14	20	37.8	33.55	13.75	7.75	98	79.5	31	12	36	M16x2.0	4	34	35	72
HCT-08	210	85	170	5	133.4	6-M12x85	20	25	46.3	41.9	22.25	11.75	109	90	35	14	36	M20x2.5	5	38	42	95
HCT-10	254	89	220	5	171.4	6-M16x85	18	30	51.1	46.7	30.75	11.25	119	94	40	16	36	M20x2.5	5	45	46	110
HCT-12	304	106	220	6	171.4	6-M16x100	18	30	61	55.75	48.75	12.75	138	108	49	18	36	M24x3.0	5	50	53.5	129

#### Specifications

	Jaw STROKE Diameter. (mm)	PLUNGER STROKE (mm)	Grip Dia. (mm)		Permissible Input Force KN(kgf)	Max. Static Gripping Force KN(kgf)	Max. r.p.m KN(kgf)	weight kgf	GD <sup>2</sup> N·m <sup>2</sup> (kgf·m <sup>2</sup> )	Operating Cylinder	Max. Hydraulic Pressure MPa(kgf/cm <sup>2</sup> )	KITAGAWA Model
			Max.	Min.								
HCT-04	6.4	14	110	5	5.3 (540)	15.2 (15508)	6000	3.8	0.26 (0.027)	Y-0715R	1.68 (17.1)	NT-04
HCT-05	6.4	14	135	16	5.3(540)	16.9(1713)	5500	5.8	0.59(0.06)	Y-0715R	1.68(17.1)	NT-05
HCT-06	8.5	18.5	165	14	12(1224)	35 (3569)	5000	11.4	1.67 (0.17)	Y-1020R	1.7 (17.3)	NT-06
HCT-08	8.8	19	210	17	16.5 (1683)	50 (5099)	4000	22	5.20 (0.53)	Y-1225R	1.6 (16.3)	NT-08
HCT-10	8.8	25	254	22	19.5 (1988)	72 (7342)	3500	31.6	11.5 (1.17)	Y-1225R	1.9 (19.4)	NT-10
HCT-12	10.5	30	310	22	27.5 (2804)	104 (10605)	3000	55	27.8 (2.83)	Y-1530R	1.8 (18.4)	NT-12

※ Maximum turning speed is based on actual measurements.  
 ※ Specifications are subject to change without notice.