

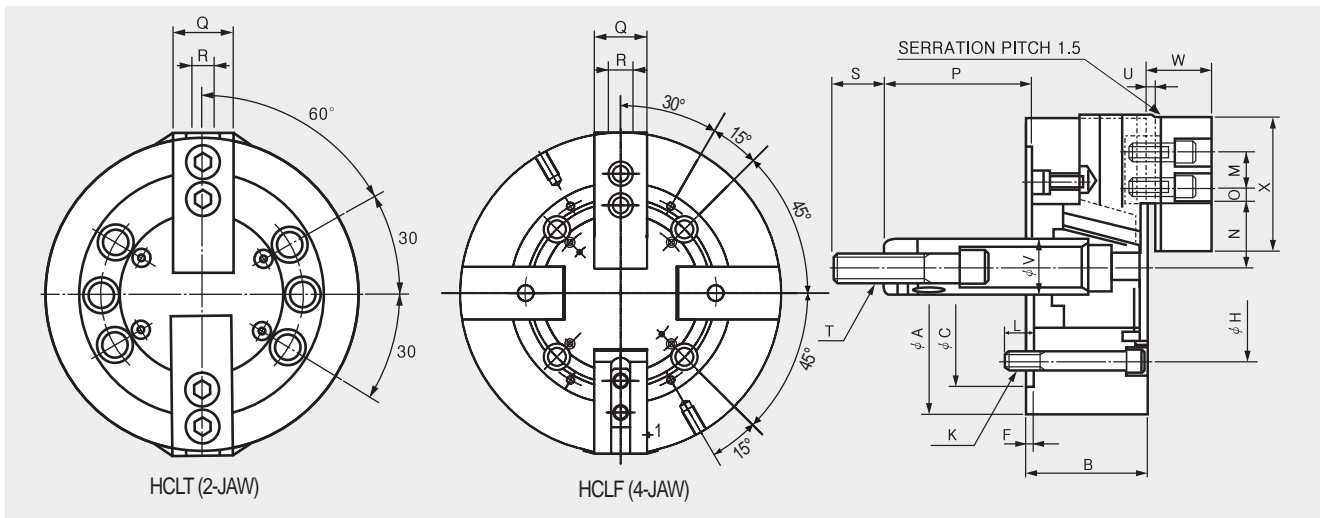
HCLT / HCLF

2-Jaw, 4-Jaw Closed-Center Long-Stroke Chuck



■ 2-jaw wedge-style power chuck

HYDRAULIC CHUCK



Dimensions

	A	B	C(H6)	F	H	K	L	M	Nmax.	Nmin.	Omax.	Omin.	Pmax.	Pmin.	Q	R	S	T	U	V	W	X
HCLT-06	165	74	140	5	104.8	6-M10x70	14	20	40.5	34	13.75	9.25	99.5	79.5	31	12	36	M16x2.0	4	34	35	72
HCLT-08	210	85	170	5	133.4	6-M12x85	20	25	48.1	40	21	12	111	90	35	14	36	M20x2.5	5	38	42	95
HCLT-10	253	89	220	5	171.4	M16x105L	38	30	54.4	45.35	29.5	11.5	161	133	40	16	36	M20x2.5	5	45	46	110
HCLT-12	304	106	220	6	171.4	M16x120L	38	30	65.7	56	42.75	12.25	163	133	50	18	36	M20x2.5	5	50	54	129
HCLF-08	210	85	170	5	133.4	6-M12x85	20	25	48.1	40	21	12	111	90	35	14	36	M20x2.5	5	38	42	95
HCLF-12	304	106	220	6	171.45	M16x120L	38	30	65.7	56	42.75	12.25	163	133	50	18	36	M20x2.5	5	50	54	129

※Blank and machined draw-nuts are available.

Specifications

	Jaw STROKE Diameter. (mm)	PLUNGER STROKE (mm)	Grip Dia. (mm)		Permissible Input Force KN(kgf)	Max. Static Gripping Force KN(kgf)	Max. r.p.m KN(kgf)	weight kgf	GD ² N·m ² (kgf·m ²)	Operating Cylinder	Max. Hydraulic Pressure MPa(kgf/cm ²)	KITAGAWA Model
			Max.	Min.								
HCLT-06	13	20	165	22	14 (1428)	26 (2651)	4300	12.5	1.67 (0.17)	Y-1020R	2.06 (21.0)	NLT-06
HCLT-08	16.2	25	210	24	20 (2039)	40 (4079)	3600	24	5.20 (0.53)	Y-1225R	2.03 (20.7)	NLT-08
HCLT-10	18.1	28	254	27	27(2753)	54(5506)	3100	35.5	11.47(1.17)	Y-1530R	1.93(19.7)	NLT-10
HCLT-12	19.4	30	304	33	36(3671)	74(7546)	2500	60.5	27.75(2.83)	Y-1530R	2.50(25.5)	NLT-12
HCLF-08	16.2	25	210	24	20 (2039)	40 (4079)	3600	24	5.20 (0.53)	Y-1225R	2.03 (20.7)	NLT-08
HCLF-12	19.4	30	304	33	36(3671)	74(7546)	2500	60.5	27.75(2.83)	Y-1530R	2.50(25.5)	NLT-12

※Maximum turning speed is based on actual measurements.

※Specifications are subject to change without notice.