

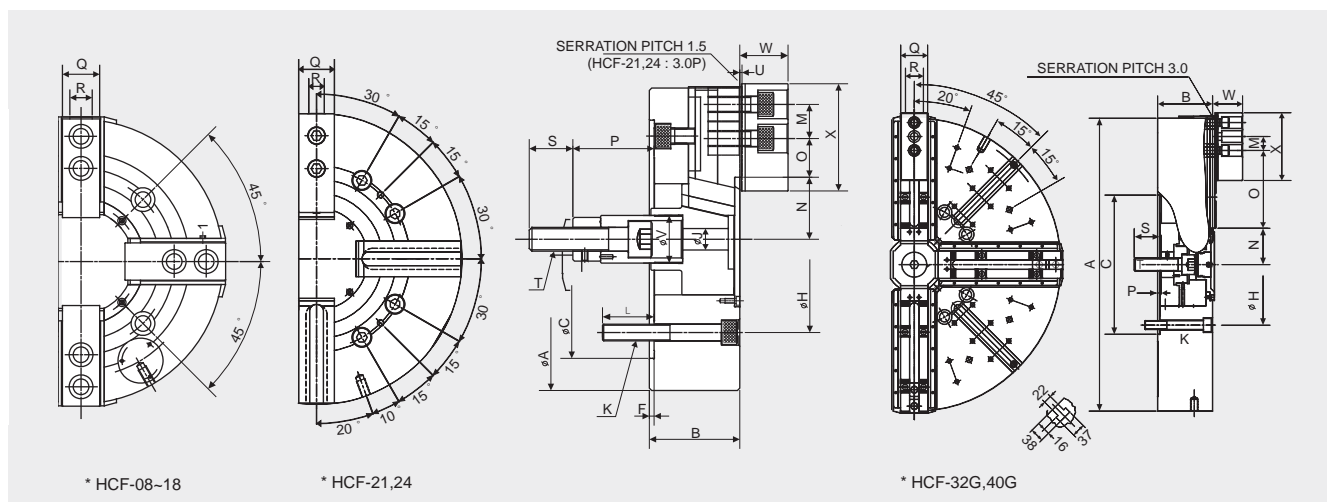
# HCF

## 4-Jaw Closed-Center Chuck



■ 4-jaw wedge-style closed-center power chuck

### HYDRAULIC CHUCK



#### Dimensions

	A	B	C(H6)	F	H	J	K	L	M	Nmax.	Nmin.	Omax.	Omin.	Pmax.	Pmin.	Q	R	S	T	U	V	W	X
HCF-08	210	85	170	5	150	25	6-M12	30	25	46.3	41.9	22.25	11.75	125	106	35	14	36	M20x2.5	5	38	42	95
HCF-12	304	106	220	6	171.4	34	4-M16	38	30	61	55.7	48.75	12.75	163	133	49	18	36	M20x2.5	5	50	53.5	129
HCF-15	381	114	300	6	235	27	4-M20	65	43	78	70	48.75	23.25	104	69	50	26	55	M30x3.5	2	60	61	135
HCF-18	450	114	300	6	235	27	4-M20	30	43	108	100	48.75	23.25	92	57	50	26	55	M30x3.5	2	60	60	135
HCF-21	530	125	380	6	330.2	27	8-M22	61	60	86	78	93.5	27.5	97	62	65	25	55	M30x3.5	3	60	70	180
HCF-24	610	125	380	6	330.2	27	8-M22	31	60	125	117	93.5	27.5	97	62	65	25	55	M30x3.5	3	60	70	180
HCF-32G	800	150	380	6	330.2	65	8-M24x160L	41	38.1	99.4	89.4	212.5	32.5	35	-3	75	25.5	73	M36x4.0	5	102	82	185
HCF-40G	1000	180	520	8	463.6	32	8-M24x140L	32	60	187.3	164.3	172	23.7	-25	32	110	30	65	M36x4.0	4	52	106	270

- ※ Blank and machined draw-nuts are available.
- ※ HCF-21 and HCF-24 are available with M22 or M24 mounting bolts.
- ※ Groove type is standard model on HCF-32G and HCF-40G.

#### Specifications

	Jaw STROKE Diameter. (mm)	PLUNGER STROKE (mm)	Grip Dia. (mm)		Permissible Input Force KN(kgf)	Max. Static Gripping Force KN(kgf)	Max. r.p.m min <sup>-1</sup> (r.p.m)	weight kgf	GD <sup>2</sup> N·m <sup>2</sup> (kgf·m <sup>2</sup> )	Operating Cylinder	Max. Hydraulic Pressure MPa(kgf/cm <sup>2</sup> )	Operating HARD JAW
			Max.	Min.								
HCF-08	8.8	19	210	17	16.5(1638)	50(5099)	4000	22	5.20(0.53)	Y-1225R(RE)	1.6(16.3)	HB08A1
HCF-12	10.5	30	304	26	27.5(2804)	104(10605)	3000	55	27.7(2.83)	Y-1530R(RE)	1.8(18.4)	HB12B1
HCF-15	16	35	381	71	54.6(5575)	165.8(16927)	3040	98	72.6(7.4)	Y-2035R(RE)	2.13(21.7)	HB15N1
HCF-18	16	35	450	133	54.6(5575)	165.8(16927)	2710	124	92.2(9.4)	Y-2035R(RE)	2.13(21.7)	HB15N1
HCF-21	16	35	530	62	54.6(5575)	183(18550)	1700	180	188.3(19.2)	Y-2035R(RE)	2.13(21.7)	HB18B2
HCF-24	16	35	610	152	54.6(5575)	183(18550)	1500	223	271.7(27.7)	Y-2035R(RE)	2.13(21.7)	HB18B2
HCF-32	20	38	800	85	88(8925)	156(15821)	800	350	601(61)	Y-2050	3(30.6)	HB32SB2
HCF-40	46	57	1000	150	120(12245)	213(21769)	630	620	1720(174.5)	Y-2560	2.7(27.2)	HB40SB2

- ※ Maximum turning speed is based on actual measurements.
- ※ Specifications are subject to change without notice.
- ※ HCF-12 is also available with long stroke.