

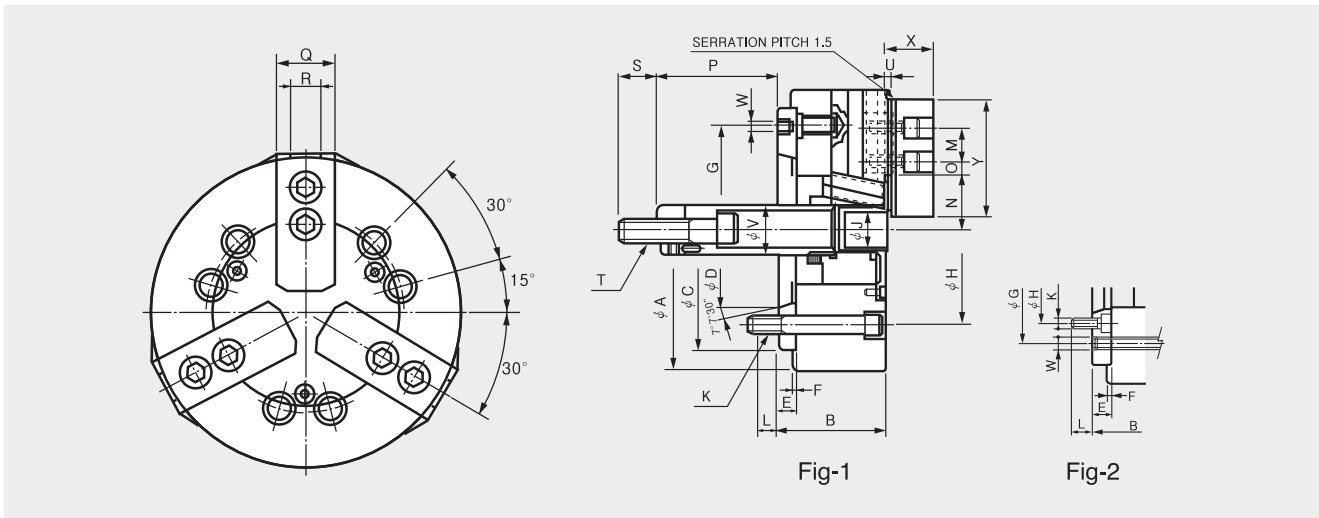
# HC-A

3-Jaw Closed-Center Chuck with Adaptor (165mm - 304mm)



- 3-jaw wedge-type closed-center power chuck with adaptor

**HYDRAULIC CHUCK**



## Dimensions

	A	B	C(H6)	D	E	F	G	H	J	K	L	M	Nmax.	Nmin.	Omax.	Omin.	Pmax.	Pmin.	Q	R	S	T	U	V	W	X
HC-06A05	165	84	140	82.563	15	5	116	104.8	21	6-M10	14	20	37.8	33.5	13.75	7.75	83	64.5	31	12	36	M16x2.0	4	34	3-M6	35
HC-08A06	210	97	170	106.375	17	5	150	133.4	25	6-M12	18	25	46.3	41.9	22.25	11.75	92 (108)	73 (89)	35	14	36	M20x2.5	5	38	3-M6	42
HC-10A06	254	109	220	106.375	25	5	171.4	133.4	34	6-M12	18.5	30	51.1	46.7	30.75	11.25	84 (128)	74 (89)	40	16	36	M20x2.5	5	45	6-M16	46
HC-10A08	254	102	220	139.719	18	5	190	171.4	34	6-M16	25	30	51.1	46.7	30.75	11.25	101 (140)	76 (115)	40	16	36	M20x2.5	5	45	3-M8	46
HC-12A06	304	125	220	106.375	25	6	171.4	133.4	34	6-M12	18	30	61	55.75	48.75	12.75	117 (138)	87 (108)	49	18	36	M24x3.0 (M20x2.5)	5	50	6-M16	53.5
HC-12A08	304	118	220	139.719	18	6	190	171.4	34	6-M16	25	30	61	55.75	48.75	12.75	124 (145)	94 (115)	49	18	36	M24x3.0 (M20x2.5)	5	50	3-M8	53.5

※ The numbers in parentheses in columns P and T are also available upon request.

## Specifications

	Spindle Nose No.	Jaw STROKE Diameter (mm)	PLUNGER STROKE (mm)	Grip Dia. (mm)		Permissible Input Force KN(kgf)	Max. Static Gripping Force KN(kgf)	Max. r.p.m min <sup>-1</sup> (r.p.m)	weight kgf	GD <sup>2</sup> N·m <sup>2</sup> (kgf·m <sup>2</sup> )	Operating Cylinder		Max. Hydraulic Pressure MPa(kgf/cm <sup>2</sup> )	Operating HARD JAW	KITAGAWA Model
				Max.	Min.						Hydraulic	Pneumatic			
HC-06A05	A2-5	8.5	18.5	165	19	18 (1835)	52.5 (5353)	5270	14	1.96 (0.20)	Y-1020R(RE)	AY-1720R	2.6 (26.5)	HB06A1	N-06A05
HC-08A06	A2-6	8.8	19	210	23	25 (2549)	75 (7648)	4760	27	5.79 (0.59)	Y-1225R(RE)	AY-2225R	2.5 (25.5)	HB08A1	N-08A06
HC-10A06	A2-6	8.8	25	254	24	29 (2957)	108 (11013)	4010	40	13.14 (1.34)	Y-1225R(RE)	AY-2225R	2.8 (28.6)	HB10A1	N-10A06
HC-10A08	A2-8	8.8	25	254	24	29 (2957)	108 (11013)	4010	40	12.84 (1.31)	Y-1225R(RE)	AY-2225R	2.8 (28.6)	HB10A1	N-10A08
HC-12A06	A2-6	10.5	30	304	26	41 (4181)	156 (15907)	3380	67	29.81 (3.04)	Y-1530R(RE)	AY-2730R	2.7 (27.5)	HB12A1	N-12A06
HC-12A08	A2-8	10.5	30	304	26	41 (4181)	156 (15907)	3380	66	29.52 (3.01)	Y-1530R(RE)	AY-2730R	2.7 (27.5)	HB12A1	N-12A08

※ Refer to Fig-2 for HC-10A06, HC-12A06.

※ Specifications are subject to change without notice.

※ Maximum turning speed is based upon actual measurements.

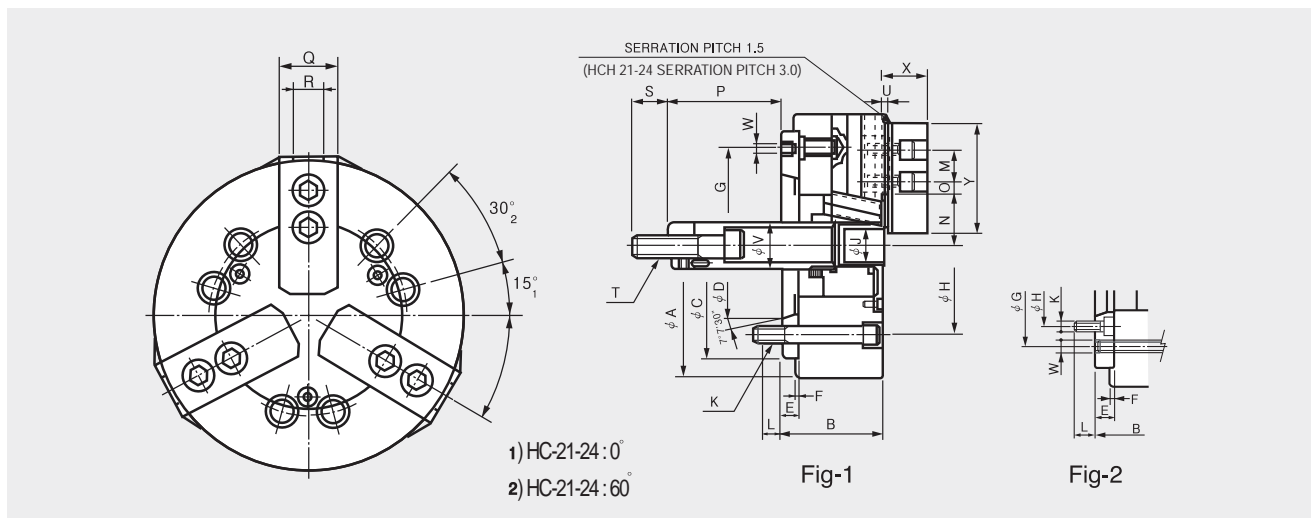
# HC-A

## 3-Jaw Closed-Center Chuck with Adaptor (381mm - 610mm)



- 3-jaw wedge-type closed-center power chuck with adaptor

### HYDRAULIC CHUCK



### Dimensions

	A	B	C(H6)	D	E	F	G	H	J	K	L	M	Nmax.	Nmin.	Omax.	Omin.	Pmax.	Pmin.	Q	R	S	T	U	V	W	X
HC-15A08	381	141	300	139.719	33	6	235.0	171.4	6-M16	24	43	77.5	69.5	48.75	23.25	71	36	50	25.5	55	M30x3.5	2	60	6-M20	61	
HC-15A11	381	130	300	196.869	22	6	260	235.0	6-M20	33	43	77.5	69.5	48.75	23.25	82	47	50	25.5	55	M30x3.5	2	60	3-M10	61	
HC-18A08	450	141	300	139.719	33	6	235.0	171.4	6-M16	24	43	108	100	48.75	23.25	59	24	50	25.5	55	M30x3.5	2	60	6-M20	61	
HC-18A11	450	130	300	196.869	22	6	260	235.0	6-M20	33	43	108	100	48.75	23.25	70	35	50	25.5	55	M30x3.5	2	60	3-M10	61	
HC-21A11	530	161	380	196.869	42	6	330.2	235.0	6-M20	29	60	86	78	93.5	27.5	55	20	65	25	55	M30x3.5	3	60	6-M22	70	
HC-21A15	530	146	380	285.775	27	6	330.2	330.2	6-M22	34	60	86	78	93.5	27.5	70	35	65	25	55	M30x3.5	3	60	3-M12	70	
HC-24A11	610	161	380	196.869	42	6	330.2	235.0	6-M20	29	60	125	117	93.5	27.5	55	20	65	25	55	M30x3.5	3	60	6-M22	70	
HC-24A15	610	146	380	285.775	27	6	330.2	330.2	6-M22	34	60	125	117	93.5	27.5	70	35	65	25	55	M30x3.5	3	60	6-M12	70	

### Specifications

	Spindle Nose No.	Jaw STROKE Diameter. (mm)	PLUNGER STROKE (mm)	Grip Dia. (mm)		Permissible Input Force KN(kgf)	Max. Static Gripping Force KN(kgf)	Max. rp.m min <sup>-1</sup> (rp.m)	weight kgf	GD <sup>2</sup> N·m <sup>2</sup> (kgf·m <sup>2</sup> )	Operating Cylinder		Max. Hydraulic Pressure MPa(kgf/cm <sup>2</sup> )	Operating HARD JAW	KITAGAWA Model
				Max.	Min.						Hydraulic	Pneumatic			
HC-15A08	A2-8	16	35	381	71	82(8362)	249(25391)	3040	105	76.49(7.8)	Y-2035R(RE)	-	3.2(32.6)	HB15N1	N-15A08
HC-15A11	A2-11	16	35	381	71	82(8362)	249(25391)	3040	103	73.55(7.5)	Y-2035R(RE)	-	3.2(32.6)	HB15N1	N-15A08
HC-18A08	A2-8	16	35	450	133	82(8362)	249(25391)	2710	134	97.08(9.9)	Y-2035R(RE)	-	3.2(32.6)	HB15N1	N-18A11
HC-18A11	A2-11	16	35	450	133	82(8362)	249(25391)	2710	131	95.12(9.7)	Y-2035R(RE)	-	3.2(32.6)	HB15N1	N-18A11
HC-21A11	A2-11	16	35	530	62	82(8362)	273(27838)	1940	198	201.03(20.5)	Y-2035R(RE)	-	3.2(32.6)	HB18B2	N-21A11
HC-21A15	A2-15	16	35	530	62	82(8362)	273(27838)	1940	190	194.15(19.9)	Y-2035R(RE)	-	3.2(32.6)	HB18B2	N-21A15
HC-24A11	A2-11	16	35	610	152	82(8362)	273(27838)	1760	241	289.28(29.5)	Y-2035R(RE)	-	3.2(32.6)	HB18B2	N-24A11
HC-24A15	A2-15	16	35	610	152	82(8362)	273(27838)	1760	234	276.54(28.2)	Y-2035R(RE)	-	3.2(32.6)	HB18B2	N-24A15

※ Maximum turning speed is based on actual measurements.

※ Specifications are subject to change without notice.

※ Refer to Fig-2 for HC-15A08, HC-18A08, HC-21A11, and HC-2411.