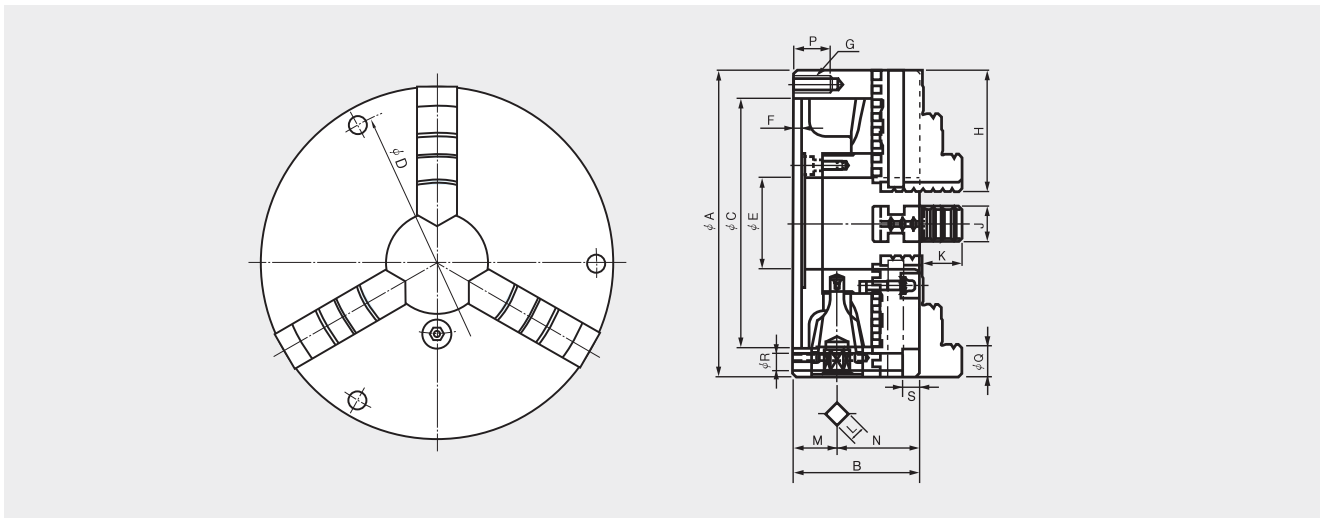




- Front-mounting solid jaw scroll chuck
(incl. internal and external hard jaws)

SCROLL CHUCK



Dimensions

	A	B	C(H6)	D	E	F	G	H	J	K	L	M	N	P	Mounting Bolt			
															Q	R	S Bolt	
FSC-165(6")	167	65	130	147	45	5	3-M10	65	19	25.07	10	24	41	20	17.5	11	10.5	3-M10
FSC-190(7")	192	75	155	172	57	5	3-M10	75	22	30.06	11	27.5	47.5	20	17.5	14	10.5	3-M10
FSC-230(9")	232	84	190	210	75	6	3-M12	87	24	35.04	12	29.5	54.5	25	20	14	12.5	3-M12
FSC-273(10")	273	86	230	250	89	6	3-M12	98	28	40.02	12	31.5	54.5	25	20	14	12.5	3-M12
FSC-310(12")	310	96	260	285	100	7	3-M12	110	30	45.08	14	31.5	64.5	25	20	14	12.5	3-M12

Specifications

	Max. Static Gripping dia. KN(kgf)	Max. rpm min ⁻¹ (r.p.m)	weight kgf	GD ² N·m ² (kgf·m ²)	(Gripping diameter)		Handle Torque N·m(kgf·m)
					(External) φ mm	(Internal) φ mm	
FSC-165(6")	31 (3161)	4000	11.4	1.18 (0.12)	3~160	48~150	88.3 (9.0)
FSC-190(7")	31 (3161)	3500	12.2	2.35 (0.24)	4~180	56~170	107.9 (11.0)
FSC-230(9")	37 (3773)	2900	21.2	6.27 (0.64)	5~220	62~210	147 (15.0)
FSC-273(10")	46 (4691)	2500	28	9.90 (1.01)	5~260	70~250	176.5 (18.0)
FSC-310(12")	55 (5608)	2200	41	23.0 (2.35)	10~300	86~290	206 (21.0)

※Specifications are subject to change without notice.