

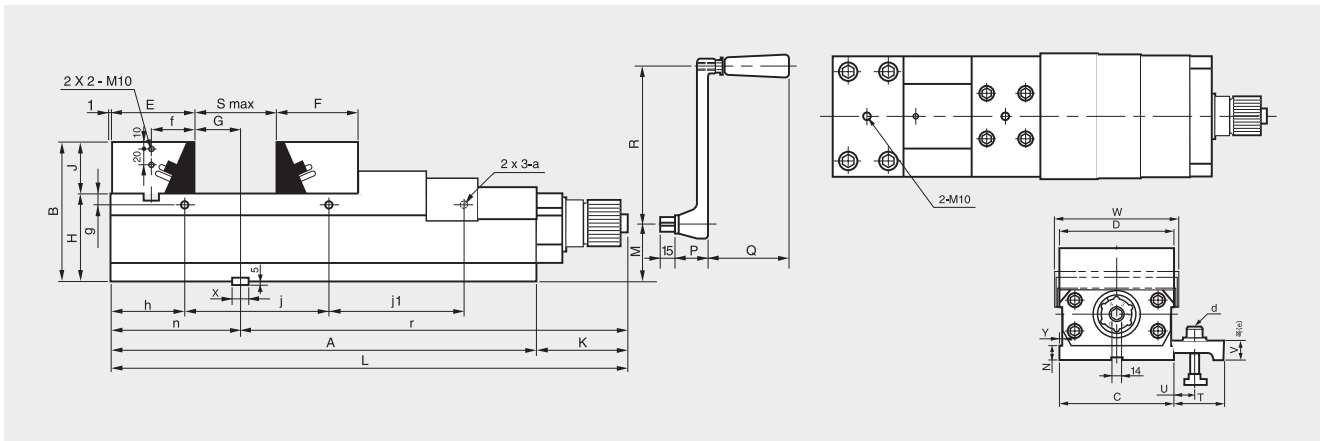
DDV

Draw-Down Type Power Vise



- Draw-down precision power vise with adjustable torque

POWER VISE



Dimensions

	A	B	C	D	E	F	G	H	J	K	L	M	N	P	Q	R	S
DDV-160(6'')	490	160	161	160	120	112	24	100	60	105.5	595.5	65	21	37	95	180	248
	T	U	V	W	X	Y	a	b	e	f	g	h	j	j1	j2	n	r
DDV-160(6'')	72	15~31	30	170	18	7	M10	M16 X 65	45	47	12	105	140	140	-	145	450.5

Specifications

	Jaw Width JAW	Jaw Height JAW	Max. Opening	Total Height	Slider Height	Total Width	Total Length	Max. Gripping Force KN (kgf)	weight kgf
DDV-160(6'')	160	60	248	160	100	170	595	60 (6122)	70

*Specifications are subject to change without notification.