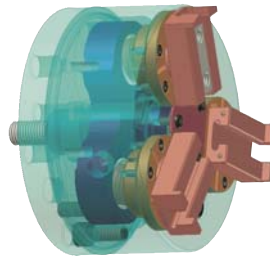


PBL

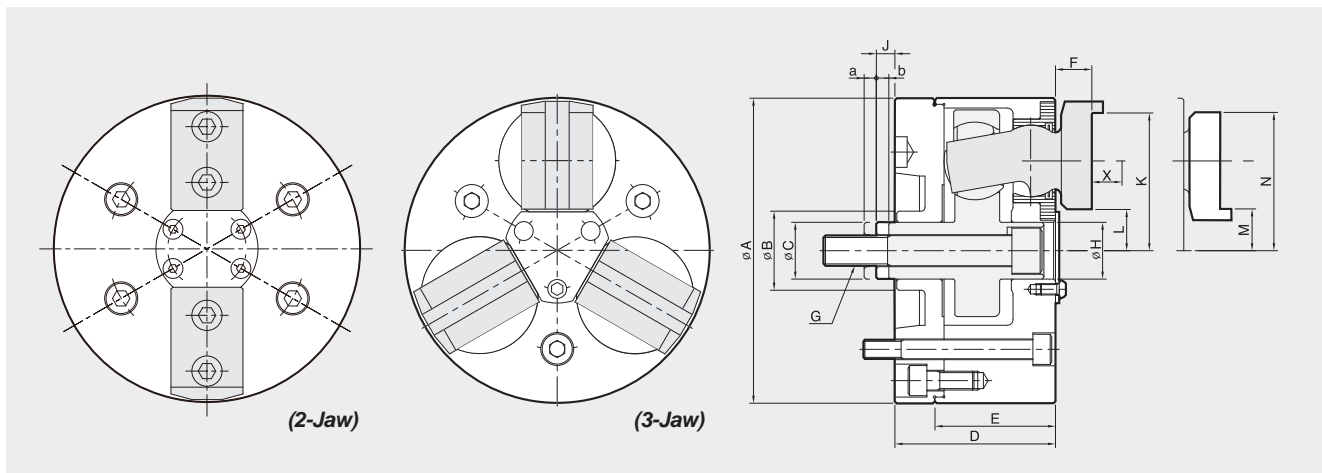
Universal Ball-Lock Power Chuck



- Castings or forgings can be O.D. or I.D. clamped
- Grips on taper up to 10 °
- Jaws pivot up to 5° to grip on uneven surfaces
- Ideal for shaft machining



APPLICATION CHUCK



Dimensions

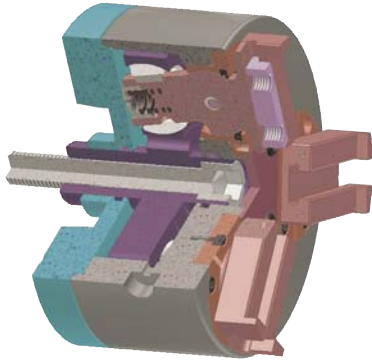
| | A | B MIN | C | D | E | F | G | H | J | a | b | K | L | M | N | X |
|--------|-----|-------|-------|------|------|------|-----|---------|------|------|------|--------|-------|-------|-------|------|
| PBL-06 | 162 | 41.1 | 30.16 | 85.2 | 59.2 | 19.3 | M16 | Φ30.170 | 10.6 | 4.4 | 5.1 | 73.15 | 22.2 | 17.3 | 78 | 24.9 |
| PBL-08 | 200 | 45 | 31.75 | 100 | 70 | 23.3 | M16 | Φ31.760 | 12 | 4.0 | 5.3 | 88.95 | 25.35 | 22.1 | 92.2 | 29.4 |
| PBL-10 | 254 | 58 | 41.27 | 118 | 86.6 | 29.1 | M18 | Φ41.285 | 13.5 | 4.0 | 8.0 | 112.7 | 30.3 | 30 | 112.7 | 36.5 |
| PBL-12 | 300 | 58 | 41.27 | 118 | 86.6 | 29.1 | M18 | Φ41.285 | 13.5 | 4.0 | 8.0 | 133.27 | 50.8 | 50.6 | 133 | 36.5 |
| PBL-15 | 381 | 83 | 57.16 | 131 | 96.1 | 32.4 | M24 | Φ57.160 | 24.7 | 12.7 | 10.3 | 171.45 | 69.8 | 65.8 | 176 | 41.9 |
| PBL-18 | 457 | 120.7 | 88.90 | 131 | 96.1 | 32.4 | M24 | Φ88.900 | 24.7 | 12.7 | 10.3 | 209.55 | 107.9 | 103.9 | 213.6 | 41.9 |
| PBL-21 | 533 | 120.7 | 88.90 | 131 | 96.1 | 32.4 | M24 | Φ88.900 | 24.7 | 12.7 | 10.3 | 247.65 | 146.0 | 142 | 252 | 41.9 |

Specifications

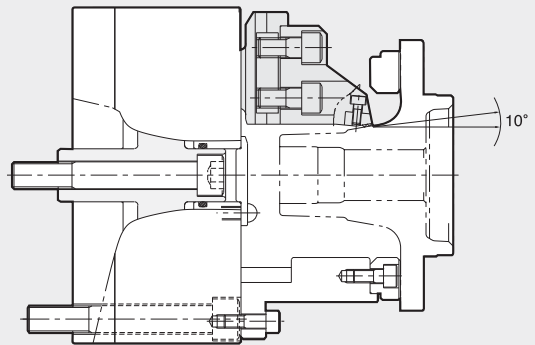
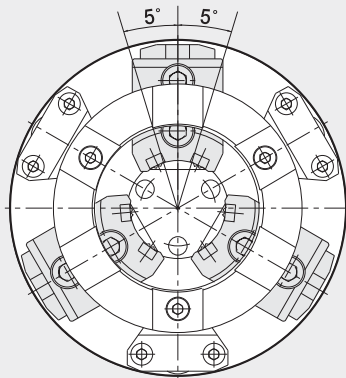
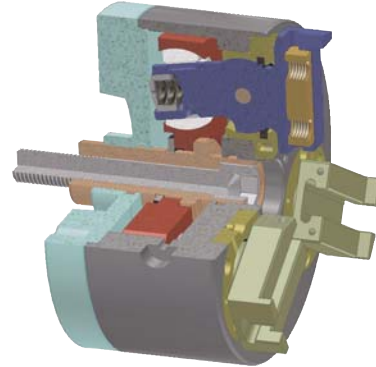
| | Clamping Force (kgf) | Max. Drawbar Pull (kgf) | Jaw Stroke mm(dia) | Plunger Stroke (mm) | Chucking Diameter | | Max. Speed (r.p.m.) | Weight (kg) | GD ² (kgf·m ²) |
|--------|----------------------|-------------------------|--------------------|---------------------|-------------------|-----------------|---------------------|-------------|---------------------------------------|
| | | | | | Outside Dia (mm) | Inside Dia (mm) | | | |
| PBL-06 | 6600 | 2200 | 7.9 | 11.3 | 12.7~120 | 70~152 | 4000 | 18 | 0.15 |
| PBL-08 | 8700 | 2900 | 9.5 | 14.3 | 16~152 | 76~203 | 3500 | 27 | 0.48 |
| PBL-10 | 10800 | 3600 | 12.7 | 17.5 | 50~203 | 85~235 | 2500 | 45 | 1.23 |
| PBL-12 | 10800 | 3600 | 12.7 | 17.5 | 63~241 | 127~305 | 2000 | 67.5 | 2.42 |
| PBL-15 | 16500 | 5500 | 15.8 | 22.3 | 76~317 | 165~381 | 1800 | 84.5 | 8.49 |
| PBL-18 | 16500 | 5500 | 15.8 | 22.3 | 89~394 | 241~457 | 1500 | 120 | 15.17 |
| PBL-21 | 16500 | 5500 | 15.8 | 22.3 | 162~470 | 317~533 | 1000 | 180 | 25.00 |



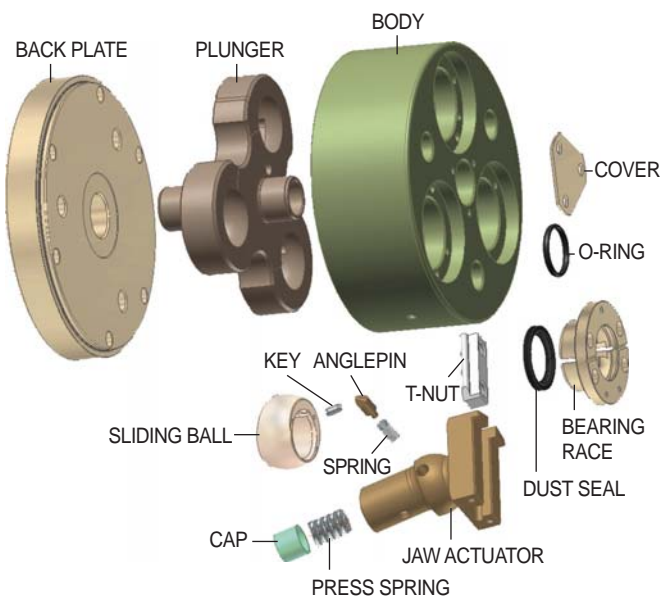
Centralizing



Compensating

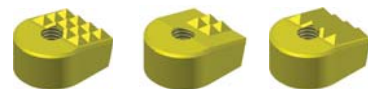


PBL Components



Inserts

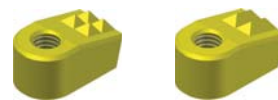
Angle Lot Style



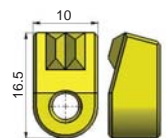
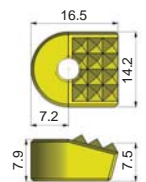
PC127-10SC PC127-4SC PC130-4SC



PC132-4SC PC145-5SC



PC127-4SC-S PC130-2SC-S



Round Style



PC070-12SC PC070-4SC

