

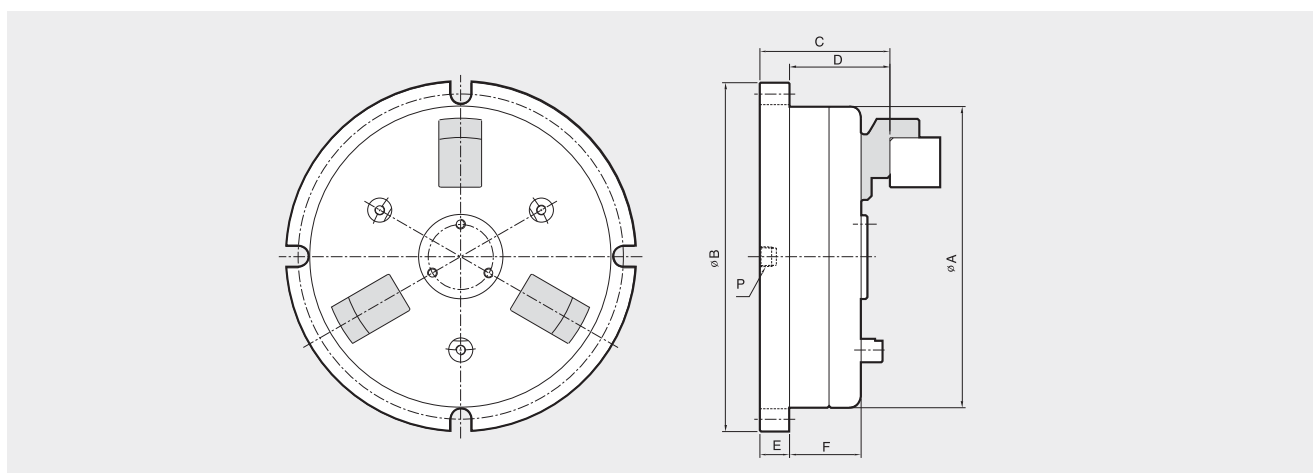
DP

Diaphragm Chuck



- Accuracy to 2 microns, ideal for hard turning gears
- Counter-centrifugal design
- Sealed body eliminates maintenance
- Jaw can be easily changed
- Self-contained cylinder

APPLICATION CHUCK



Dimensions

	A	B	C	D	E	F	P
DP-06	171.4	208	92	72.9	19.1	65	1/4
DP-08	212.9	246	96.8	77.7	19.1	70	1/4
DP-10	251.0	284	96.8	77.7	19.1	85	1/4
DP-13	327.2	360	108	88.9	19.1	85	1/4
DP-17	428.9	476	109.5	90.4	19.1	85	1/4

Specifications

	Clamping Force (kgf) P=3.5Kg/cm ²	No. of Jaw	Jaw Stroke (mm)	Chucking Diameter (mm)	Max rpm (r.p.m.)	Pressure (kgf/cm ²)	Weight (kg)
DP-06	450	3 (6 JAW)	0.23	44~107	4500	4.5	11
DP-08	720	3 (6 JAW)	0.25	76~143	4000	4.5	20
DP-10	1150	3 (6 JAW)	0.25	114~181	3500	4.5	26.5
DP-13	2000	3 (6 JAW)	0.35	150~248	3000	4.5	43
DP-17	3600	3 (6 JAW)	0.40	203~349	2000	4.5	89