

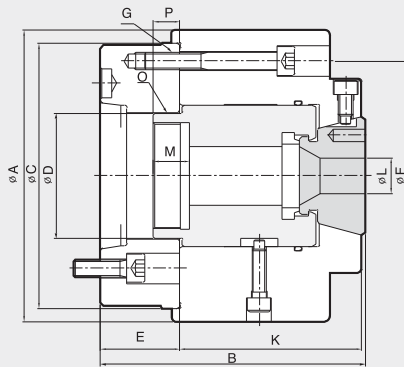
COR

Outside-Collet Chuck

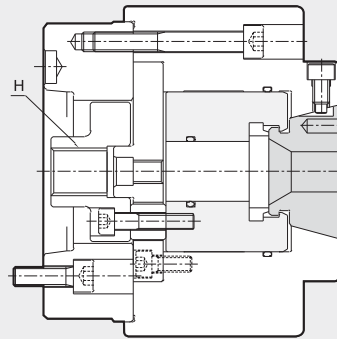


- Quick change rubber -steel segment collet
- Ideal for bar and shaft clamping
- Round, square and hexagonal collets available

APPLICATION CHUCK



Bar Work



Chucking work

Dimensions

	A	B	C(h)	D	E	F	G	H	K	Lmax.	Lmin.	M	O	Pmax.	Pmin.
COR-32	165	150	150	71	45	130	M10	M24	103	32	5	20.5	M60X2.0	16.5	13.5
COR-50	165	150	150	87	45	130	M10	M24	103	50	12	27.5	M74X1.5	23	20
COR-65	180	170	170	103	49	150	M12	M30	119	65	16	25	M90X2.0	25.5	22.5
COR-90	210	190	170	103	55	150	M12	M30	133	90	30	25	M90X2.0	28.5	22.5

Specifications

	Clamping Force (kgf)	Max. Drawbar Pull (kgf)	Collet Expansion (mm)	Plunger Stroke (mm)	Chucking Diameter (mm)		Max. Speed (r.p.m.)	Weight (kg)
					Bar Work	Chuck Work		
COR-32	6400	3200	1	3	5-32	7-32	4500	25
COR-50	8200	4100	1	3	12-50	12-50	4500	25
COR-65	9200	4600	1	3	16-65	16-65	4000	32
COR-90	13300	6500	2	6	30-90	30-90	3500	38