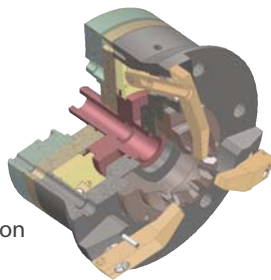


# BDG

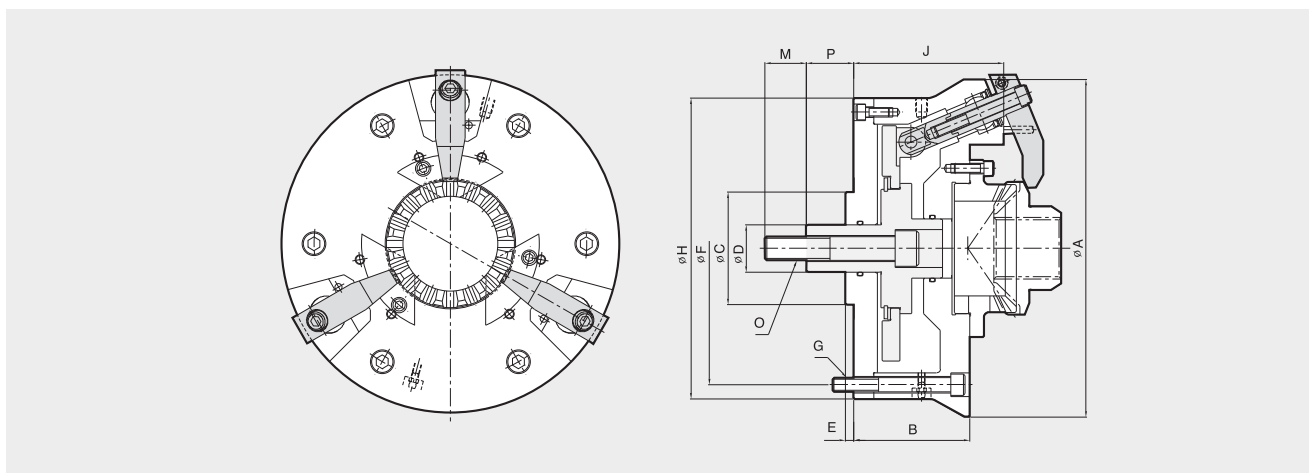
## Bevel-Gear Chuck



- Finger chuck for high accuracy clamping of bevel gears
- Floating action ensures equal clamping force on all 3 fingers
- Available with hydraulic and pneumatic actuation



**APPLICATION CHUCK**



### Dimensions

	A	B	C(h <sup>1</sup> )	D	E	F	G	H	J	M	O	Pmax.	Pmin.
BDG-07	215	98	80	30	7	160	M12	185	126.5	27	M16	45	30
BDG-10	285	98	95	40	7	230	M12	254	126.5	35	M20	45	30

### Specifications

	Max. Drawbar Pull (kgf)	Plunger Stroke (mm)	Chucking Diameter (mm)	Max. Speed (r.p.m.)	Weight (kg)
BDG-07	1500	15	22.2~147.5	2000	30
BDG-10	1500	15	88.9~203.2	1500	45