

Dillon Chuck Jaws



DillonMfg.com

1-800-428-1133 | Fax: 1-800-634-6480 | sales4@dillonmfg.com

ISO 9001:2015 Certified Process • **MADE IN THE USA** • Sold Through Distributors

TABLE OF CONTENTS

*Go to www.dillonmfg.com for more products not listed in catalog

1.5MM x 60° Serrated

Soft Jaws.....	1-2
Full Grips	3
Hard Jaws	4
Jaw Nuts	4-5

3.0MM x 60° Serrated

Soft Jaws.....	5
Full Grips	6
Hard Jaws	6
Jaw Nuts	8

1.5MM x 3.0MM x 60° Serrated

Claw Jaws	7
-----------------	---

1/16 x 90° Serrated

Soft Jaws.....	8-10
Full Grips	10-11
Hard Jaws	11
Jaw Nuts	12

3/32 x 90° Serrated

Soft Jaws.....	12-13
Full Grips	14
Hard Jaws	14
Jaw Nuts	14

American Standard Tongue & Groove

Medium Duty.....	15
Soft Jaws.....	15-16
Full Grips	16-17
Hard Jaws	17
Heavy Duty	18
Soft Jaws.....	18-19
Full Grips	20
Hard Jaws	20

Metric Tongue & Groove

Soft Jaws.....	21
Full Grips	22
Hard Jaws	22
Monoblock Jaws	23
Base Jaws	23

Acme Serrated Key Type

Soft Jaws.....	24
Full Grips	25
Hard Jaws	25
Jaw Nuts	26
Acme Serrated Master Key	26

Square Serrated Key Type

Soft Jaws.....	27-28
Full Grips	28
Hard Jaws	29
Jaw Nuts	29
Square Serrated Master Key	29

Pin Location Type

Northfield & Microcentric Types	30
---------------------------------------	----

Miscellaneous Jaws

New Britain	31
Howa HO18	31
Bullard	32
Buck	32-33
Samchully HC32-40.....	33

Collet Pads And Jaws

Collet Pad Jaws	34
Warner & Swasey Collet Pads	34
S-Style Collet Pads.....	35-36

Accessories

Boring Rings	37-38
Jaw Force Gage.....	39
Grease	39
Workpiece Stops.....	40

Special Soft Jaws

Serrated	41
Tongue & Groove.....	41
Acme Serrated	42
Square Serrated	42

Special Hard Jaws

Serrated	43
Tongue & Groove.....	44
Acme Serrated	45
Square Serrated	46

ALPHABETICAL REFERENCE BY CHUCK TYPE

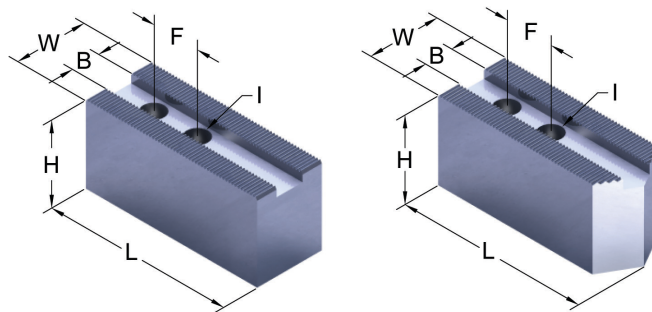
Chucks	Type	Page
Atlas	American Standard Tongue & Groove	15-20
Bergman	American Standard Tongue & Groove	15-20
Bison	American Standard Tongue & Groove	15-20
Buck	American Standard Tongue & Groove	15-20
	Square Serrated Key Type	27-29
Bullard	Bullard Style Jaws.....	32
Cushman	American Standard Tongue & Groove	15-20
	Acme Serrated Key Type.....	24-26
Erickson	1/16 x 90° Serrated	8-12
Forkardt	1/16 x 90° Serrated	8-12
	3/32 x 90° Serrated	12-14
	Metric Tongue & Groove.....	21-23
Fuji	3.0MM x 60° Serrated	5-8
Gamet	1/16 x 90° Serrated	8-12
Gisholt	Square Serrated Key Type	27-29
Hardinge	1/16 x 90° Serrated	8-12
	1.5MM x 60° Serrated	1-6
	S-Style Collet Pads	35-36
Howa	1.5MM x 60° Serrated	1-6
	3.0MM x 60° Serrated	5-8
	1/16 x 90° Serrated	8-12
	Acme Serrated Key Type.....	24-26
Japanese	1.5MM x 60° Serrated	1-6
	3.0MM x 60° Serrated	5-8
Kitagawa®	1.5MM x 60° Serrated	1-6
	3.0MM x 60° Serrated	5-8
	American Standard Tongue & Groove	15-20
	Collet Pad Jaws.....	34
Logansport (LMC)	American Standard Tongue & Groove	15-20
	Acme Serrated Key Type.....	24-26
	3.0MM x 60° Serrated	5-8
Matsumoto (MMK)	1.5MM x 60° Serrated	1-6
	3.0MM x 60° Serrated	5-8
Microcentric Type	Pin Location Type	30

ALPHABETICAL REFERENCE BY CHUCK

Chucks	Type	Page
New Britain	American Standard Tongue & Groove.....	31
Nikko	1.5MM x 60° Serrated.....	1-6
Nobel	American Standard Tongue & Groove.....	15-20
Northfield Type	Pin Location Type.....	30
Powerhold	1/16 x 90° Serrated.....	8-12
Pratt-Burnerd	1.5MM x 60° Serrated.....	1-6
	1/16 x 90° Serrated.....	8-12
	American Standard Tongue & Groove.....	15-20
	Acme Serrated Key Type.....	24-26
	Square Serrated Key Type.....	27-29
Rohm	American Standard Tongue & Groove.....	15-20
	Metric Tongue & Groove.....	21-23
	1/16 x 90° Serrated.....	8-12
	3/32 x 90° Serrated.....	12-14
Samchully	1.5MM x 60° Serrated.....	1-6
	3.0MM x 60° Serrated.....	5-8
	American Standard Tongue & Groove.....	15-20
SCA	American Standard Tongue & Groove.....	15-20
	Acme Serrated Key Type.....	24-26
Schunk	1.5MM x 60° Serrated.....	1-6
	1/16 x 90° Serrated.....	8-12
	Metric Tongue & Groove.....	21-23
Seiki	1.5MM x 60° Serrated.....	1-6
	3.0MM x 60° Serrated.....	5-8
Skinner	American Standard Tongue & Groove.....	15-20
SMW Autoblok	1.5MM x 60° Serrated.....	1-6
	1/16 x 90° Serrated.....	8-12
	3/32 x 90° Serrated.....	12-14
	Metric Tongue & Groove.....	21-23
S-P	American Standard Tongue & Groove.....	15-20
	Square Serrated Key Type.....	27-29
Strong	1.5MM x 60° Serrated.....	1-6
	3.0MM x 60° Serrated.....	5-8
	American Standard Tongue & Groove.....	15-20
Warner & Swasey	American Standard Tongue & Groove.....	15-20
	Square Serrated Key Type.....	27-29
	Warner & Swasey Collet Pads.....	31
Yuasa	American Standard Tongue & Groove.....	15-20

1.5MM x 60° Serrated — SOFT JAWS

Add "A" to beginning of part number when ordering aluminum jaws.
Add "P" to end of part number when ordering pointed jaws.
Made with 1018 steel or 6061 aluminum.

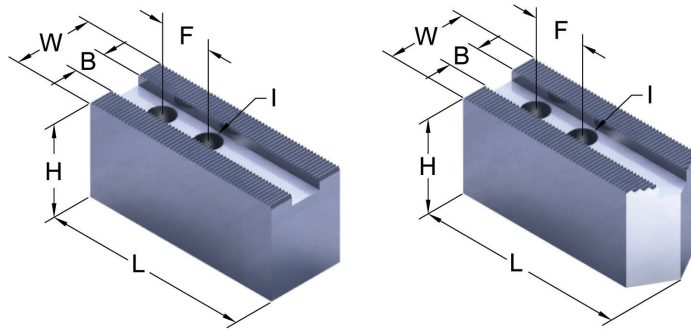


Ø Diameter	Part #	L Length	H Height	W Width	B Slot Width	F Bolt Spacing	I Screw Size
4	HO4	2.00	1.00	.75	.313	.591	M6
	HO4H	2.00	2.00	.75	.313	.591	M6
	HO4-3H	2.00	3.00	.75	.313	.591	M6
	KW4	2.00	1.50	1.00	.394	.551	M8
	KW4-2H	2.00	2.00	1.00	.394	.551	M8
	KW4H	2.00	3.00	1.00	.394	.551	M8
	MK4	2.125	1.125	1.00	.394	.557	M6
	MK4H	2.125	2.00	1.00	.394	.557	M6
	NI4	2.00	1.50	1.00	.394	.591	M8
	NI4H	2.00	2.00	1.00	.394	.591	M8
5	KW205	2.313	1.50	1.00	.394	.551	M8
	KW205H	2.313	3.00	1.00	.394	.551	M8
	KW5	2.313	1.50	1.00	.394	.713	M8
	KW5H	2.313	3.00	1.00	.394	.713	M8
	KW5F	2.50	1.50	1.00	.394	.750	M8
	KW5FH	2.50	3.00	1.00	.394	.750	M8
	NI5	2.375	1.50	1.00	.433	.669	M8
	NI5H	2.375	2.00	1.00	.433	.669	M8
	SK5	2.75	1.50	1.00	.394	.748	M8
	SK5H	2.75	3.00	1.00	.394	.748	M8
6	KW6	3.00	1.50	1.25	.472	.787	M10
	KW6-2H	3.00	2.00	1.25	.472	.787	M10
	KW6H	3.00	3.00	1.25	.472	.787	M10
	KW6-4H	3.00	4.00	1.25	.472	.787	M10
	KW6-1W	3.00	1.50	1.00	.472	.787	M10
	KW6-1WH	3.00	3.00	1.00	.472	.787	M10
	NI6	3.00	1.50	1.25	.551	.787	M10
	NI6H	3.00	3.00	1.25	.551	.787	M10
6.5	MK3NE65	3.00	1.50	1.25	.433	.984	M8
	MK3NE65H	3.00	3.00	1.25	.433	.984	M8
	MK3NE65-1W	3.00	1.50	1.00	.433	.984	M8
	MK3NE65-1WH	3.00	3.00	1.00	.433	.984	M8
8	KW8	4.00	2.00	1.50	.551	.984	M12
	KW8-3H	4.00	3.00	1.50	.551	.984	M12
	KW8H	4.00	4.00	1.50	.551	.984	M12
	KW8-6H	4.00	6.00	1.50	.551	.984	M12
	KW8-3.75L	3.75	2.00	1.50	.551	.984	M12
	KW8-3.75LH	3.75	4.00	1.50	.551	.984	M12
	HW27M8	4.50	2.00	1.50	.630	.984	M12
	HW27M8H	4.50	4.00	1.50	.630	.984	M12
	NI8	4.00	2.00	1.50	.551	1.181	M10
	NI8H	4.00	4.00	1.50	.551	1.181	M10
	NI205	4.00	2.00	1.50	.669	.984	M12
10	KW10	4.75	2.00	1.75	.630	1.181	M12
	KW10-3H	4.75	3.00	1.75	.630	1.181	M12
	KW10H	4.75	4.00	1.75	.630	1.181	M12
	KW10-6H	4.75	6.00	1.75	.630	1.181	M12
	KW10-8H	4.75	8.00	1.75	.630	1.181	M12
	KW10-1.5W	4.75	2.00	1.50	.630	1.181	M12
	KW10-1.5WH	4.75	4.00	1.50	.630	1.181	M12
	KW10-5L	5.00	2.00	1.75	.630	1.181	M12
	KW10-5LH	5.00	4.00	1.75	.630	1.181	M12
	HW27M10	4.75	2.00	1.75	.709	1.181	M14
	HW27M10H	4.75	4.00	1.75	.709	1.181	M14

1.5MM x 60° Serrated

— SOFT JAWS (Continued)

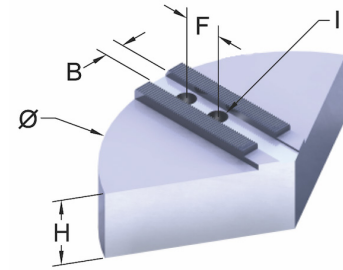
Add "A" to beginning of part number when ordering aluminum jaws.
 Add "P" to end of part number when ordering pointed jaws.
 Made with 1018 steel or 6061 aluminum.



Ø Diameter	Part #	L Length	H Height	W Width	B Slot Width	F Bolt Spacing	I Screw Size
10	MK4NE600	4.75	2.00	1.50	.630	1.260	M12
	MK4NE600H	4.75	4.00	1.50	.630	1.260	M12
	NI10	4.50	2.00	1.75	.787	1.181	M12
	NI10H	4.50	4.00	1.75	.787	1.181	M12
11	JP11	4.75	2.00	1.50	.709	1.181	5/8
	JP11H	4.75	4.00	1.50	.709	1.181	5/8
12	KW12	5.00	2.00	2.00	.709	1.181	M14
	KW12-3H	5.00	3.00	2.00	.709	1.181	M14
	KW12H	5.00	4.00	2.00	.709	1.181	M14
	KW12-6H	5.00	6.00	2.00	.709	1.181	M14
	KW12-8H	5.00	8.00	2.00	.709	1.181	M14
	KW12-5.5L	5.50	2.50	2.00	.709	1.181	M14
	KW12-5.5LH	5.50	4.00	2.00	.709	1.181	M14
	KW12B	5.00	2.00	2.00	.827	1.181	M16
	KW12B-3H	5.00	3.00	2.00	.827	1.181	M16
	KW12BH	5.00	4.00	2.00	.827	1.181	M16
	KW12B-6H	5.00	6.00	2.00	.827	1.181	M16
	KW12B-8H	5.00	8.00	2.00	.827	1.181	M16
	KW12B-5.5L	5.50	2.50	2.00	.827	1.181	M16
	KW12B-5.5LH	5.50	4.00	2.00	.827	1.181	M16
	HW27M12	5.50	2.50	2.00	.827	1.377	M16
	HW27M12H	5.50	4.00	2.00	.827	1.377	M16
	NI12	5.25	2.00	1.75	.787	1.378	M12
	NI12H	5.25	4.00	1.75	.787	1.378	M12
	SK5NE12	5.50	2.00	2.00	.709	1.266	M14
	SK5NE12H	5.50	4.00	2.00	.709	1.266	M14
JP12	5.50	2.50	2.00	.787	1.375	M12	
JP12H	5.50	4.00	2.00	.787	1.375	M12	
14-16	NI15	6.25	2.50	2.00	.827	1.772	M16
	NI15H	6.25	5.00	2.00	.827	1.772	M16
15-18	KW15K	6.50	3.00	2.50	.866	1.690	M20
	KW15K-4H	6.50	4.00	2.50	.866	1.690	M20
	KW15KH	6.50	5.00	2.50	.866	1.690	M20
	KW15K-6H	6.50	6.00	2.50	.866	1.690	M20
	KW15K-8H	6.50	8.00	2.50	.866	1.690	M20
	KW15K-7L	7.00	3.00	2.50	.866	1.690	M20
	KW15K-7LH	7.00	5.00	2.50	.866	1.690	M20
	KW15K-7.5L	7.50	3.00	2.50	.866	1.690	20M
	KW15K-7.5LH	7.50	5.00	2.50	.866	1.690	20M
	KW15B	6.50	3.00	2.50	1.004	1.690	M20
	KW15B-4H	6.50	4.00	2.50	1.004	1.690	M20
	KW15BH	6.50	5.00	2.50	1.004	1.690	M20
	KW15B-6H	6.50	6.00	2.50	1.004	1.690	M20
	KW15B-8H	6.50	8.00	2.50	1.004	1.690	M20
	JP15	5.75	2.50	2.00	.827	1.562	5/8
JP15H	5.75	4.00	2.00	.827	1.562	5/8	
18	NI18	7.00	3.50	2.50	1.024	1.969	M20
	NI18H	7.00	5.00	2.50	1.024	1.969	M20

1.5MM x 60° Serrated — FULL GRIPS

Made with 6061 aluminum.
Add "C" to beginning of part number when ordering cast iron jaws.
Add "S" to beginning of part number when ordering steel jaws.

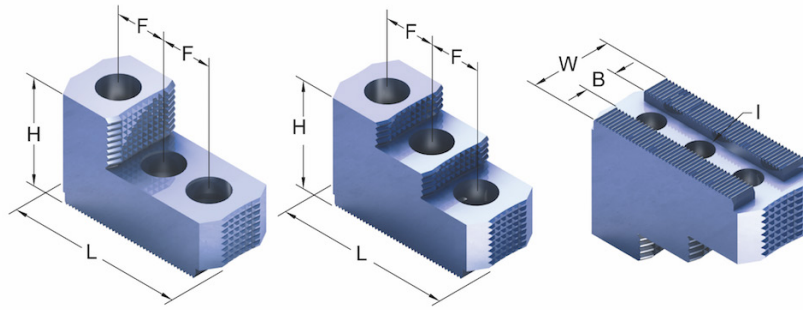


Ø Diameter	Part #	H Height	B Slot Width	F Bolt Spacing	I Screw Size	Set Ø
4	KW4FG	2.00	.394	.551	M8	6"
	KW205FG	2.00	.394	.551	M8	6"
5	KW205HFG	4.00	.394	.551	M8	6"
	KW5FG	2.00	.394	.713	M8	6"
6	KW5HFG	4.00	.394	.713	M8	6"
	KW6FG	2.00	.472	.787	M10	6"
6.5	KW6HFG	4.00	.472	.787	M10	6"
	MK3NE65FG	2.00	.433	.984	M8	6"
8	MK3NE65HFG	4.00	.433	.984	M8	6"
	KW8FG	2.00	.551	.984	M12	8"
8	KW8HFG	4.00	.551	.984	M12	8"
	HW27M8FG	2.00	.630	.984	M12	8"
10	HW27M8HFG	4.00	.630	.984	M12	8"
	KW10FG	2.00	.630	1.181	M12	10"
10	KW10HFG	4.00	.630	1.181	M12	10"
	HW27M10FG	2.00	.709	1.181	M14	10"
10	HW27M10HFG	4.00	.709	1.181	M14	10"
	MK4NE600FG	2.00	.630	1.260	M12	10"
10	MK4NE600HFG	4.00	.630	1.260	M12	10"
	JP11FG	2.00	.709	1.181	5/8	10"
11	JP11HFG	4.00	.709	1.181	5/8	10"
	KW12FG	2.00	.709	1.181	M14	12"
12	KW12HFG	4.00	.709	1.181	M14	12"
	KW12BFG	2.00	.827	1.181	M16	12"
12	KW12BHFG	4.00	.827	1.181	M16	12"
	HW27M12FG	2.00	.827	1.377	M16	12"
12	HW27M12HFG	4.00	.827	1.377	M16	12"
	SK5NE12FG	2.00	.709	1.265	M14	12"
12	SK5NE12HFG	4.00	.709	1.265	M14	12"
	JP12FG	2.00	.787	1.375	M12	12"
12	JP12HFG	4.00	.787	1.375	M12	12"
	15	KW15KFG	3.00	.866	1.690	M20
KW15KHFG		4.00	.866	1.690	M20	15"
15	KW15BFG	3.00	1.004	1.690	M20	15"
	KW15BHFG	4.00	1.004	1.690	M20	15"
15	JP15FG	3.00	.827	1.562	5/8	15"
	18	KW18FG	3.00	.866	1.690	M20
KW18HFG		4.00	.866	1.690	M20	18"
18	KW218FG	3.00	1.004	1.690	M20	18"
	KW218HFG	4.00	1.004	1.690	M20	18"



1.5MM x 60° Serrated — HARD JAWS

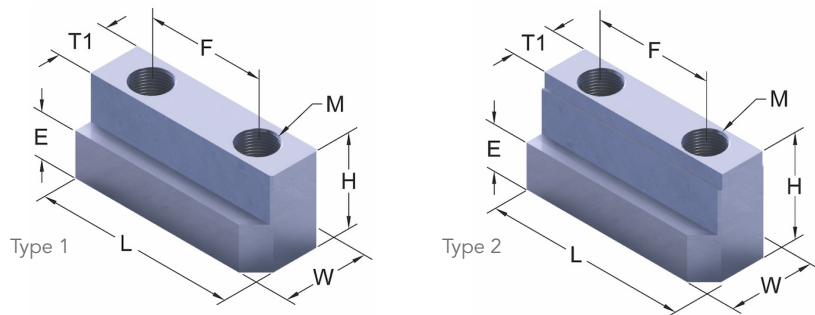
Made with 8620 case hardened steel.
Hard jaws are reversible for OD & ID chucking.
All hard jaws are available in one or two step sets.
All part #'s listed below are two step sets.



Ø Diameter	Part #	L Length	H Height	W Width	B Slot Width	F Bolt Spacing	I Screw Size
4	KW4RJ	2.50	1.50	1.25	.394	.551	M8
5	KW5RJ	2.67	1.50	1.25	.394	.713	M8
6	KW6RJ	2.75	1.50	1.25	.472	.787	M10
6.5	MK3NE65RJ	3.00	1.625	1.125	.433	.984	M8
8	KW8RJ	3.625	2.00	1.50	.551	.984	M12
	HW27M8RJ	3.25	2.00	1.50	.630	.984	M12
10	KW10RJ	4.25	2.50	1.75	.630	1.181	M12
	MK4NE600RJ	4.25	2.50	1.75	.630	1.260	M12
11	JP11RJ	4.125	2.50	1.75	.709	1.181	5/8
12	KW12RJ	4.25	2.50	2.00	.709	1.181	M14
	KW12BRJ	4.25	2.50	2.00	.827	1.181	M16
	HW27M12RJ	4.375	2.50	2.00	.827	1.377	M16
	SK5NE12RJ	4.545	2.75	2.00	.709	1.265	M14
	JP12RJ	4.68	2.50	1.75	.787	1.375	M12
15+	KW15KRJ	5.875	3.50	2.50	.866	1.690	M20
	KW15BRJ	5.875	3.50	2.50	1.004	1.690	M20
	JP15RJ	5.375	2.50	2.00	.827	1.562	5/8

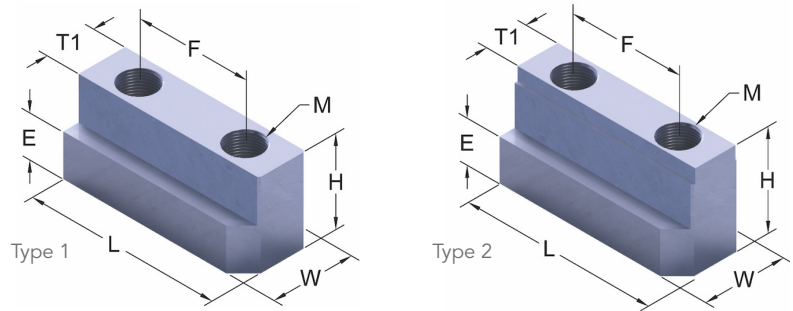
1.5MM x 60° Serrated — JAW NUTS

Made with 4140 PHT Alloy Steel



Ø Diameter	Part #	L Length	H Height	W Width	F Bolt Spacing	M Thread Size	T1 Tongue Width	E Heel Height	Type
4	HO4JN	.966	.530	.452	.591	M6-1.00	.312	.177	1
	KW4JN	1.140	.709	.590	.551	M8-1.25	.393	.220	1
4-5	KW204JN	1.030	.591	.570	.551	M8-1.25	.393	.217	1
5	KW5JN	1.180	.612	.550	.713	M8-1.25	.393	.220	1
	KW5FJN	1.531	.650	.590	.750	M8-1.25	.393	.220	1
6	KW6JN	1.437	.875	.687	.787	M10-1.50	.471	.295	1
	KW6JN7	1.418	.728	.687	.787	M10-1.50	.471	.295	1
	HO37M6	1.438	.846	.669	.787	M10-1.50	.471	.295	1
6.5	MK3NE65JN	1.570	.787	.690	.984	M8-1.25	.432	.295	1
8	KW8JN	1.910	1.00	.813	.984	M12-1.75	.550	.374	1
	KW8JN9	1.830	.807	.775	.984	M12-1.75	.550	.335	1
	HW27M8JN	1.781	1.043	.866	.984	M12-1.75	.629	.334	1
	PC8JN	1.772	.906	.787	.984	M12-1.75	.550	.335	1
10	KW10JN	2.010	1.00	.875	1.181	M12-1.75	.629	.374	1
	KW10JN11	2.010	.846	.875	1.181	M12-1.75	.629	.334	1
	MK4NE600JN	2.050	.900	.905	1.260	M12-1.75	.629	.315	1
	PC10JN	1.969	.905	.905	1.181	M12-1.75	.629	.315	1
	HW27M10JN	2.031	1.082	.945	1.181	M14-2.00	.708	.375	1
	HW7MA10JN	2.360	1.043	.866	.984	M12-1.75	.629	.334	1

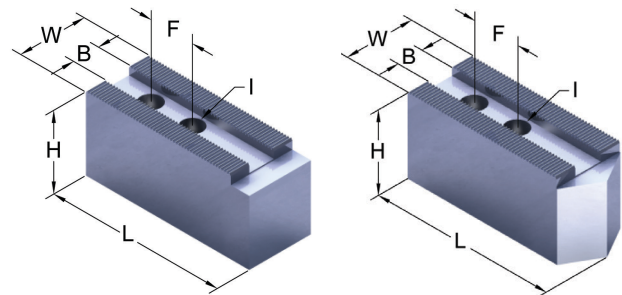
1.5MM x 60° Serrated — JAW NUTS (continued)



Ø Diameter	Part #	L Length	H Height	W Width	F Bolt Spacing	M Thread Size	T1 Tongue Width	E Heel Height	Type
12	KW12JN	2.187	1.313	1.031	1.181	M14-2.00	.708	.531	1
	KW12BJN	2.187	1.100	1.160	1.181	M16-2.00	.826	.453	1
	BB212JN	2.313	.896	1.160	1.181	M16-2.00	.826	.413	1
	HW27M12JN	2.380	1.140	1.060	1.377	M16-2.00	.826	.413	1
	HW7MA12JN	2.093	1.082	.945	1.181	M14-2.00	.708	.375	1
	PC12JN	2.126	1.181	1.142	1.181	M14-2.00	.708	.551	1
	SK5NE12JN	2.205	1.181	1.142	1.206	M14-2.00	.708	.551	1
JP12JN	2.187	1.313	1.043	1.375	M12-1.75	.786	.531	1	
15-18	KW15KJN	3.150	1.750	1.320	1.690	M20-2.50	.865	.609	2
	KW15BJN	3.150	1.550	1.375	1.690	M20-2.50	1.003	.758	1
	PC15JN	3.000	1.555	1.339	1.693	M20-2.50	.865	.768	1
	BB218JN	3.150	1.145	1.375	1.690	M20-2.50	1.003	.570	1

3.0MM x 60° Serrated — SOFT JAWS

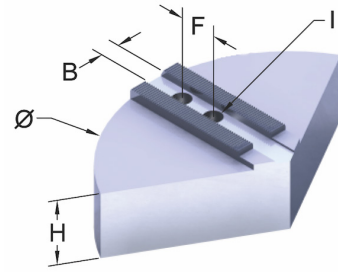
Add "A" to beginning of part number when ordering aluminum jaws.
Add "P" to end of part number when ordering pointed jaws.
Made with 1018 steel or 6061 aluminum.



Ø Diameter	Part #	L Length	H Height	W Width	B Slot Width	F Bolt Spacing	I Screw Size
6	HF6	2.84	1.50	1.25	.472	.787	M10
	HF6H	2.84	3.00	1.25	.472	.787	M10
8	HF8	3.75	2.00	1.50	.551	.984	M12
	HF8H	3.75	4.00	1.50	.551	.984	M12
10	HF10	4.75	2.00	1.75	.630	1.181	M12
	HF10H	4.75	4.00	1.75	.630	1.181	M12
	HF10D	4.75	2.00	1.75	.591	1.181	M12
	HF10DH	4.75	4.00	1.75	.591	1.181	M12
12	HF12	5.50	2.50	2.00	.709	1.181	M14
	HF12H	5.50	5.00	2.00	.709	1.181	M14
15	HW27M15	5.75	2.50	2.50	1.023	1.654	M20
	HW27M15H	5.75	4.00	2.50	1.023	1.654	M20
	HW27M15S	5.50	2.50	2.25	1.023	1.656	M20
	HW27M15SH	5.50	4.00	2.25	1.023	1.656	M20
	HW7MA15	6.00	2.50	2.00	.827	1.575	M16
	HW7MA15H	6.00	5.00	2.00	.827	1.575	M16
	HF15	5.75	2.50	2.50	1.023	1.969	M20
	HF15H	5.75	5.00	2.50	1.023	1.969	M20
	MK5NE15	6.00	2.50	2.50	.866	1.969	M20
	MK5NE15H	6.00	5.00	2.50	.866	1.969	M20
	SB15AQ	5.08	2.00	2.00	.709	1.496	M14
	SB15AQH	5.08	4.00	2.00	.709	1.496	M14
21	KW21	7.09	3.00	2.50	.984	2.360	M20
	KW21-4H	7.09	4.00	2.50	.984	2.360	M20
	KW21H	7.09	6.00	2.50	.984	2.360	M20
	KW21-8H	7.09	8.00	2.50	.984	2.360	M20
24	KW24B	8.25	3.50	3.00	.984	2.360	M20
	KW24BH	8.25	6.00	3.00	.984	2.360	M20
	KW24	8.25	3.50	3.00	.984	3.150	M20
	KW24H	8.25	6.00	3.00	.984	3.150	M20
	KW24-8H	8.25	8.00	3.00	.984	3.150	M20

3.0MM x 60° Serrated — FULL GRIPS

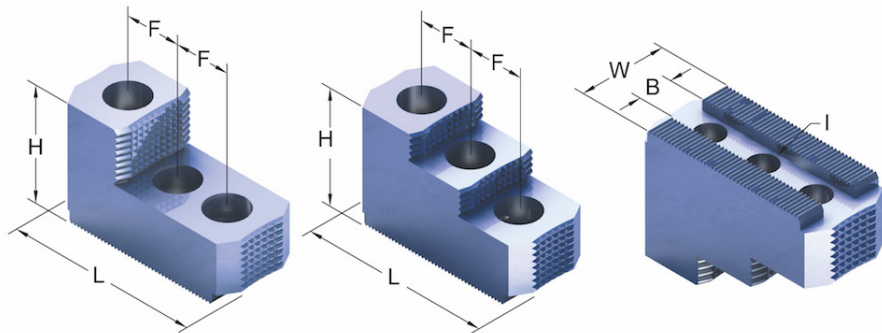
Made with 6061 aluminum.
Add "C" to beginning of part number when ordering cast iron jaws.
Add "S" to beginning of part number when ordering steel jaws.



Ø Diameter	Part #	H Height	B Slot Width	F Bolt Spacing	I Screw Size	Set Ø
6	HF6FG	2.00	.472	.787	M10	6"
	HF6HFG	4.00	.472	.787	M10	6"
8	HF8FG	2.00	.551	.984	M12	8"
	HF8HFG	4.00	.551	.984	M12	8"
10	HF10FG	2.00	.630	1.181	M12	10"
	HF10HFG	4.00	.630	1.181	M12	10"
	HF10DFG	2.00	.591	1.181	M12	10"
	HF10DHFG	4.00	.591	1.181	M12	10"
12	HF12FG	2.00	.709	1.181	M14	12"
	HF12HFG	4.00	.709	1.181	M14	12"
15	HF15FG	3.00	1.023	1.969	M20	15"
	HF15HFG	4.00	1.023	1.969	M20	15"
	MK5NE15FG	3.00	.866	1.969	M20	15"
	MK5NE15HFG	4.00	.866	1.969	M20	15"
	HW27M15FG	3.00	1.023	1.654	M20	15"
	HW27M15HFG	4.00	1.023	1.654	M20	15"
	HW7MA15FG	3.00	.827	1.575	M16	15"
	HW7MA15HFG	4.00	.827	1.575	M16	15"
18	PC18FG	3.00	.866	1.969	M20	18"
	PC18HFG	4.00	.866	1.969	M20	18"
21-24	KW21FG	3.00	.984	2.360	M20	21"
	KW21HFG	4.00	.984	2.360	M20	21"
24	KW24BFG	3.00	.984	2.360	M20	24"
	KW24BHFG	4.00	.984	2.360	M20	24"
	KW24FG	3.00	.984	3.150	M20	24"

3.0MM x 60° Serrated — HARD JAWS

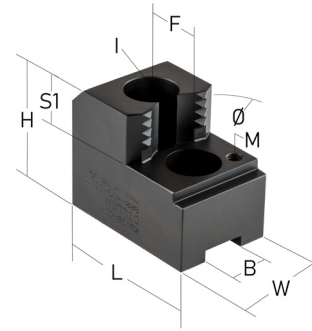
Made with 8620 case hardened steel.
Hard jaws are reversible for OD & ID chucking.
All hard jaws are available in one or two step sets.
All part #'s listed below are two step sets.



Ø Diameter	Part #	L Length	H Height	W Width	B Slot Width	F Bolt Spacing	I Screw Size
6	HF6RJ	2.73	2.00	1.25	.472	.787	M10
8	HF8RJ	3.50	2.00	1.50	.551	.984	M12
10	HF10RJ	4.25	2.50	1.75	.630	1.181	M12
	HF10DRJ	4.25	2.50	1.75	.591	1.181	M12
12	HF12RJ	4.25	2.50	2.00	.709	1.181	M14
15	HW27M15RJ	6.00	3.00	2.50	1.023	1.654	M20
	HW7MA15RJ	5.00	2.50	2.00	.827	1.575	M16
	HF15RJ	6.00	3.00	2.50	1.023	1.969	M20
	MK5NE15RJ	6.00	3.00	2.50	.866	1.969	M20
21-24	KW21-24RJ	6.75	3.50	3.00	.984	2.360	M20
	PC21-24RJ	6.50	3.50	2.50	.866	1.969	M20

1.5MM & 3.0MM x 60° Serrated — CLAW JAWS

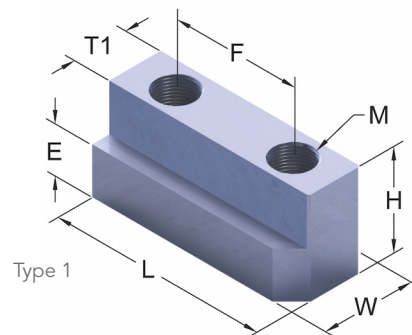
Dillon Claw Jaws are available for all chuck mounting types.
Made with hardened 8620 alloy steel.
Gripping diameters listed will vary dependant upon chuck.



Ø Diameter	Part #	L Length	H Height	W Width	B Slot Width	F Bolt Spacing	I Screw Size	D Gripping Range Min	D Gripping Range Max	Serration Size	S1 Step Hit	M Thread Size
6	KW6-CJ1	2.795	1.85	1.18	.472	.787	M10	1.220	2.126	1.5MM	.787	M6
	KW6-CJ2	2.461	1.85	1.18	.472	.787	M10	1.260	2.717	1.5MM	.787	M6
	KW6-CJ3	2.126	1.85	1.18	.472	.787	M10	1.850	3.346	1.5MM	.787	M6
	KW6-CJ4	2.037	1.85	1.18	.472	.787	M10	2.402	3.898	1.5MM	.787	M6
	KW6-CJ5	2.067	1.85	1.50	.472	.787	M10	3.031	4.528	1.5MM	.787	M6
8	KW8-CJ1	3.268	2.087	1.38	.551	.984	M12	1.378	2.677	1.5MM	.984	M6
	KW8-CJ2	2.854	2.087	1.38	.551	.984	M12	1.850	3.780	1.5MM	.984	M6
	KW8-CJ3	2.539	2.087	1.50	.551	.984	M12	3.031	5.039	1.5MM	.984	M6
	KW8-CJ4	2.362	2.087	1.50	.551	.984	M12	4.449	6.024	1.5MM	.984	M6
	KW8-CJ16	2.717	2.087	1.50	.551	.984	M12	5.315	6.850	1.5MM	.984	M6
10	KW10-CJ1	3.917	2.283	1.50	.630	1.181	M12	1.457	3.307	1.5MM	.984	M6
	KW10-CJ2	3.189	2.283	1.50	.630	1.181	M12	2.992	5.039	1.5MM	.984	M6
	KW10-CJ3	2.776	2.283	1.50	.630	1.181	M12	4.724	6.811	1.5MM	.984	M6
	KW10-CJ4	2.953	2.283	1.50	.630	1.181	M12	6.496	8.425	1.5MM	.984	M6
	KW10-CJ15	3.720	2.283	1.50	.630	1.181	M12	7.953	9.724	1.5MM	.984	M6
12	KW12-CJ1	4.724	2.56	2.00	.709	1.181	M14	1.654	4.567	1.5MM	.984	M8
	KW12-CJ2	3.750	2.56	2.00	.709	1.181	M14	3.661	6.929	1.5MM	.984	M8
	KW12-CJ3	3.130	2.56	2.00	.709	1.181	M14	6.220	9.528	1.5MM	.984	M8
	KW12-CJ4	4.311	2.56	2.00	.709	1.181	M14	8.937	12.087	1.5MM	.984	M8
	KW12B-CJ5	4.724	2.56	2.00	.827	1.181	M16	1.772	4.724	1.5MM	.984	M8
	KW12B-CJ6	3.750	2.56	2.00	.827	1.181	M16	4.252	7.087	1.5MM	.984	M8
	KW12B-CJ7	3.130	2.56	2.00	.827	1.181	M16	6.811	9.685	1.5MM	.984	M8
	KW12B-CJ8	4.311	2.56	2.00	.827	1.181	M16	9.370	12.244	1.5MM	.984	M8
15-18	KW15K-CJ1	6.122	3.346	2.36	.866	1.693	M20	1.850	6.575	1.5MM	1.299	M8
	KW15K-CJ2	5.315	3.346	2.36	.866	1.693	M20	3.543	8.858	1.5MM	1.299	M8
	KW15K-CJ3	4.252	3.346	2.36	.866	1.693	M20	5.827	11.220	1.5MM	1.299	M8
	KW15K-CJ4	4.311	3.346	2.36	.866	1.693	M20	8.228	13.622	1.5MM	1.299	M8
	KW15K-CJ5	4.665	3.346	2.36	.866	1.693	M20	10.551	16.024	1.5MM	1.299	M8
	KW15K-CJ6	5.492	3.346	2.36	.866	1.693	M20	12.913	18.386	1.5MM	1.299	M8
	KW15B-CJ1	6.122	3.346	2.36	1.004	1.693	M20	1.850	6.575	1.5MM	1.299	M8
	KW15B-CJ2	5.315	3.346	2.36	1.004	1.693	M20	3.543	8.858	1.5MM	1.299	M8
	KW15B-CJ3	4.252	3.346	2.36	1.004	1.693	M20	5.827	11.220	1.5MM	1.299	M8
	KW15B-CJ4	4.311	3.346	2.36	1.004	1.693	M20	8.228	13.622	1.5MM	1.299	M8
	KW15B-CJ5	4.665	3.346	2.36	1.004	1.693	M20	10.551	16.024	1.5MM	1.299	M8
	KW15B-CJ6	5.492	3.346	2.36	1.004	1.693	M20	12.913	18.386	1.5MM	1.299	M8
21	KW21-CJ1	5.906	3.70	2.50	.984	2.362	M20	5.276	11.260	3.0MM	1.654	M8
	KW21-CJ2	5.787	3.70	2.50	.984	2.362	M20	10.276	16.339	3.0MM	1.654	M8
	KW21-CJ3	7.205	3.70	2.50	.984	2.362	M20	15.276	20.866	3.0MM	1.654	M8
24	KW21-CJ1	5.906	3.70	2.50	.984	2.362	M20	6.732	14.331	3.0MM	1.654	M8
	KW21-CJ2	5.787	3.70	2.50	.984	2.362	M20	11.732	19.449	3.0MM	1.654	M8
	KW21-CJ3	7.205	3.70	2.50	.984	2.362	M20	16.772	24.016	3.0MM	1.654	M8

3.0MM x 60° Serrated — JAW NUTS

Made with 4140 PHT Alloy Steel



Ø Diameter	Part #	L Length	H Height	W Width	F Bolt Spacing	M Thread Size	T1 Tongue Width	E Heel Height	Type
6	HF6JN	1.469	.846	.669	.787	M10-1.50	.471	.295	1
8	HF8JN	1.772	.925	.787	.984	M12-1.75	.550	.334	1
10	HF10JN	2.0	.925	.905	1.181	M12-1.75	.629	.335	1
12	KW12JN	2.187	1.313	1.031	1.181	M14-2.00	.708	.531	1
15	HF15JN	3.23	1.575	1.338	1.969	M20-2.50	1.022	.669	1
	HW27M15JN	2.563	1.574	1.340	1.654	M20-2.50	1.022	.669	1
	HW7MA15JN	2.562	1.141	1.043	1.575	M16-2.00	.826	.413	1
	MK5NE15JN	3.15	1.550	1.340	1.969	M20-2.50	.865	.767	1
21-24	KW21-24JN	3.705	1.781	1.476	2.360	M20-2.50	.983	.748	1
24	KW24JN	4.73	2.115	1.573	3.150	M20-2.50	.983	.748	1

1/16 x 90° Serrated — SOFT JAWS

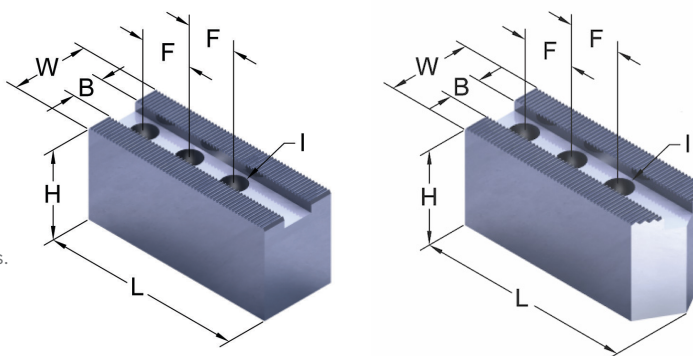
Add "A" to beginning of part number when ordering aluminum jaws.

Add "P" to end of part number when ordering pointed jaws.

Made with 1018 steel or 6061 aluminum.

*Available with 1.5MM x 60° Serrations

**Parts are pointed



Ø Diameter	Part #	L Length	H Height	W Width	B Slot Width	F Bolt Spacing	I Screw Size	# of Holes	
5	AB5*	2.375	1.00	1.00	.472	.629	M8	2	
	4.8SB**	2.19	1.12	1.00	.433	.750	5/16	2	
	GA5	2.50	1.50	1.00	.433	.709	M8	2	
	GA5H	2.50	2.00	1.00	.433	.709	M8	2	
	6	PH6	3.125	1.50	1.25	.433	.718	5/16	3
6	PH6H	3.125	3.00	1.25	.433	.718	5/16	3	
	5.5SB**	2.62	1.12	1.00	.433	.709	5/16	2	
	F625	2.76	1.50	1.50	.669	.875	M12	2	
	F625H	2.76	2.25	1.50	.669	.875	M12	2	
	PBCG6	2.00	1.25	1.25	.590	.813	M10	2	
	PBCG6H	2.00	3.00	1.25	.590	.813	M10	2	
	PBI6	2.625	1.50	1.75	.669	.830	M12	2	
	PBI6H	2.625	2.50	1.75	.669	.830	M12	2	
	GA6	3.25	1.50	1.25	.551	.866	M10	2	
	GA6H	3.25	3.00	1.25	.551	.866	M10	2	
	6.5	AB657*	2.75	1.50	1.25	.551	.629	M10	2
		AB657H*	2.75	3.00	1.25	.551	.629	M10	2
		AB657F*	2.75	1.50	1.25	.551	.650	M10	2
AB657FH*		2.75	3.00	1.25	.551	.650	M10	2	
PH7		3.25	1.50	1.25	.551	.710	3/8	3	
PH7H		3.25	3.00	1.25	.551	.710	3/8	3	
SMW65		3.50	1.50	1.25	.551	.984	3/8	2	
SMW65H		3.50	3.00	1.25	.551	.984	3/8	2	
6.5SB**		3.19	1.50	1.25	.551	.709	3/8	3	
6.5SBH**		3.19	3.00	1.25	.551	.709	3/8	3	
PBR65		2.50	1.50	1.00	.512	.709	M8	2	

1/16 x 90° Serrated

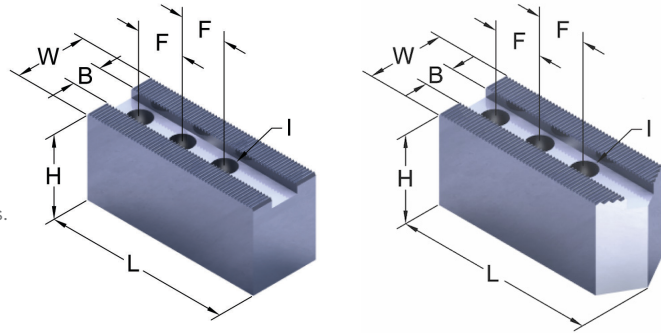
— SOFT JAWS (continued)

Add "A" to beginning of part number when ordering aluminum jaws.
Add "P" to end of part number when ordering pointed jaws.

Made with 1018 steel or 6061 aluminum.

*Available with 1.5MM x 60° Serrations

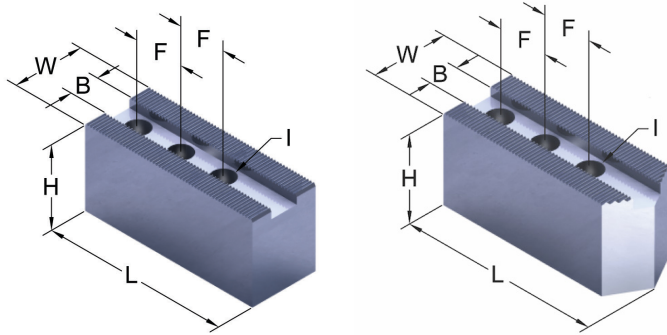
**Parts are pointed



Ø Diameter	Part #	L Length	H Height	W Width	B Slot Width	F Bolt Spacing	I Screw Size	# of Holes
6.5	PBR65H	2.50	2.50	1.00	.512	.709	M8	2
8	AB8859*	3.50	1.50	1.50	.669	.906	M12	2
	AB8859H*	3.50	4.00	1.50	.669	.906	M12	2
	HW12M8A	3.50	1.50	1.50	.669	.984	1/2	2
	HW12M8AH	3.50	4.00	1.50	.669	.984	1/2	2
	HW12M8	3.75	2.00	1.50	.669	.984	1/2	2
	HW12M8H	3.75	4.00	1.50	.669	.984	1/2	2
	HW12M83	4.50	2.00	1.50	.669	.984	1/2	3
	HW12M83H	4.50	4.00	1.50	.669	.984	1/2	3
	SMW8	3.50	2.00	1.50	.669	1.125	1/2	2
	SMW8H	3.50	4.00	1.50	.669	1.125	1/2	2
	SMW83	4.25	2.00	1.50	.669	.875	1/2	3
	SMW83H	4.25	4.00	1.50	.669	.875	1/2	3
	7.7SB**	3.25	1.50	1.50	.669	.810	7/16	3
	7.7SBH**	3.25	3.00	1.50	.669	.810	7/16	3
	PBCG8	2.50	2.00	1.50	.669	1.000	M12	2
	PBCG8H	2.50	3.00	1.50	.669	1.000	M12	2
	PBR8	3.00	1.75	1.25	.669	.875	M10	2
	PBR8H	3.00	3.00	1.25	.669	.875	M10	2
	GA8	4.00	2.00	1.50	.669	1.024	M12	2
	GA8H	4.00	4.00	1.50	.669	1.024	M12	2
8-10	AB810*	4.33	1.75	1.75	.827	1.181	M16	2
	AB810H*	4.33	4.00	1.75	.827	1.181	M16	2
	PH10	4.25	2.00	1.50	.551	.875	3/8	3
	PH10H	4.25	3.50	1.50	.551	.875	3/8	3
	F810	3.00	2.25	1.50	.669	.875	M12	2
	F810H	3.00	3.00	1.50	.669	.875	M12	2
	PH10D	4.625	2.00	1.75	.787	1.187	1/2	3
	PH10DH	4.625	4.00	1.75	.787	1.187	1/2	3
10	PBCG10	3.188	2.00	1.50	.669	1.000	M12	2
	PBCG10H	3.188	3.50	1.50	.669	1.000	M12	2
	PBI10	4.25	2.25	1.75	.827	1.250	M16	2
	PBI10H	4.25	4.00	1.75	.827	1.250	M16	2
	PBR10	3.50	2.00	1.50	.827	.984	M12	2
	PBR10H	3.50	3.50	1.50	.827	.984	M12	2
	GA10	4.75	2.00	1.75	.827	1.260	M16	2
	GA10H	4.75	4.00	1.75	.827	1.260	M16	2
10-12	AB1012*	4.75	2.00	2.50	1.004	1.339	M20	2
	SMW125	4.75	2.50	2.00	.827	1.181	1/2	2
	SMW125H	4.75	4.00	2.00	.827	1.181	1/2	2
	SMW1253	5.25	2.50	2.00	.827	1.181	1/2	3
	SMW1253H	5.25	4.00	2.00	.827	1.181	1/2	3
	F1012	4.75	2.50	2.00	.827	1.187	M16	2
	F1012H	4.75	5.00	2.00	.827	1.187	M16	2
	AB12*	5.00	2.00	2.00	.827	1.181	M16	2
	AB12H*	5.00	4.00	2.00	.827	1.181	M16	2
12	PH12	5.25	2.50	1.75	.787	1.187	1/2	3
	PH12H	5.25	4.00	1.75	.787	1.187	1/2	3
	PBCG12	4.25	2.25	1.75	.827	1.250	M16	2

1/16 x 90° Serrated — SOFT JAWS (continued)

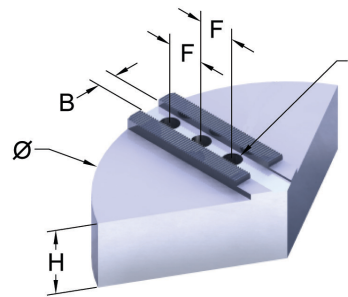
Add "A" to beginning of part number when ordering aluminum jaws.
Add "P" to end of part number when ordering pointed jaws.
Made with 1018 steel or 6061 aluminum.
*Available with 1.5MM x 60° Serrations



Ø Diameter	Part #	L Length	H Height	W Width	B Slot Width	F Bolt Spacing	I Screw Size	# of Holes
12	PBCG12H	4.25	4.00	1.75	.827	1.250	M16	2
	PBI12	4.50	2.50	2.00	.827	1.250	M16	2
	PBI12H	4.50	4.00	2.00	.827	1.250	M16	2
	GA12	5.50	2.50	2.00	.827	1.496	M16	2
	GA12H	5.50	4.00	2.00	.827	1.496	M16	2
12-15	F1215	5.50	3.50	2.25	1.001	1.375	M20	2
	F1215H	5.50	5.00	2.25	1.001	1.375	M20	2
12.5-14	PBR14	4.50	2.25	1.50	.827	1.188	M12	2
	PBR14H	4.50	4.00	1.50	.827	1.188	M12	2
15	PH15	6.625	2.50	1.75	.827	1.562	5/8	3
	PH15H	6.625	4.00	1.75	.827	1.562	5/8	3
	PBCG15	4.875	2.50	2.00	.827	1.500	M16	2
	PBCG15H	4.875	5.00	2.00	.827	1.500	M16	2
	PBI15	6.00	3.00	2.25	1.004	1.750	M20	2
	PBI15H	6.00	5.00	2.25	1.004	1.750	M20	2
	GA15	6.50	3.00	2.50	1.004	1.969	M20	2
	GA15H	6.50	5.00	2.50	1.004	1.969	M20	2
	AB16*	5.50	2.50	2.50	.827	1.339	M16	2
	AB16H*	5.50	4.00	2.50	.827	1.339	M16	2
18	PH18	6.625	2.50	2.00	.827	1.562	5/8	3
	PH18H	6.625	5.00	2.00	.827	1.562	5/8	3

1/16 x 90° Serrated — FULL GRIPS

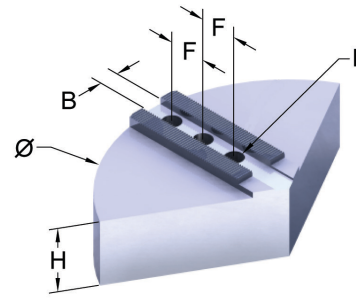
Made with 6061 aluminum.
Add "C" to beginning of part number when ordering cast iron jaws.
Add "S" to beginning of part number when ordering steel jaws.
*Available with 1.5MM x 60° Serrations



Ø Diameter	Part #	H Height	B Slot Width	F Bolt Spacing	I Screw Size	# of Holes	Set Ø
6	PH6FG	2.00	.433	.718	5/16	3	6"
	PH6HFG	4.00	.433	.718	5/16	3	6"
6.5	SMW65FG	2.00	.551	.984	3/8	2	6"
	SMW65HFG	4.00	.551	.984	3/8	2	6"
8	HW12M8FG	2.00	.669	.984	1/2	2	8"
	HW12M8HFG	4.00	.669	.984	1/2	2	8"
	AB8859FG*	2.00	.669	.906	M12	2	8"
	AB8859HFG*	4.00	.669	.906	M12	2	8"
	PH8FG	2.00	.551	.875	3/8	3	8"
	PH8HFG	4.00	.551	.875	3/8	3	8"
	SMW8FG	2.00	.669	1.125	1/2	2	8"
	SMW8HFG	4.00	.669	1.125	1/2	2	8"
8-10	PH10FG	2.00	.551	.875	3/8	3	10"
	PH10HFG	4.00	.551	.875	3/8	3	10"
	AB810FG*	2.00	.827	1.181	M16	2	10"
	AB810HFG*	4.00	.827	1.181	M16	2	10"

1/16 x 90° Serrated — FULL GRIPS (continued)

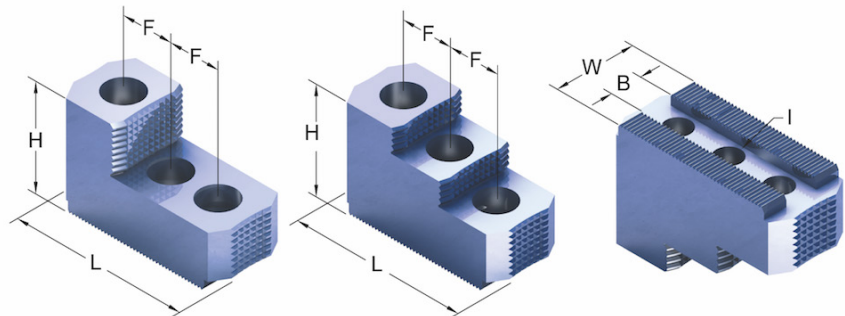
Made with 6061 aluminum.
Add "C" to beginning of part number when ordering cast iron jaws.
Add "S" to beginning of part number when ordering steel jaws.
*Available with 1.5MM x 60° Serrations



Ø Diameter	Part #	H Height	B Slot Width	F Bolt Spacing	I Screw Size	# of Holes	Set Ø
10	SMW10FG	2.00	.827	1.181	1/2	2	10"
	SMW10HFG	4.00	.827	1.181	1/2	2	10"
	PH10DFG	2.00	.787	1.187	1/2	3	10"
	PH10DHFG	4.00	.787	1.187	1/2	3	10"
12	PH12FG	2.00	.787	1.187	1/2	3	12"
	PH12HFG	4.00	.787	1.187	1/2	3	12"
	SMW125FG	2.00	.827	1.181	1/2	3	12"
	SMW125HFG	4.00	.827	1.181	1/2	3	12"
	AB12FG*	2.00	.827	1.181	M16	2	12"
	AB12HFG*	4.00	.827	1.181	M16	2	12"
15	PH15FG	3.00	.827	1.562	5/8	3	15"
	PH15HFG	4.00	.827	1.562	5/8	3	15"
18	PH18FG	3.00	.827	1.562	5/8	3	18"
	PH18HFG	4.00	.827	1.562	5/8	3	18"

1/16 x 90° Serrated — HARD JAWS

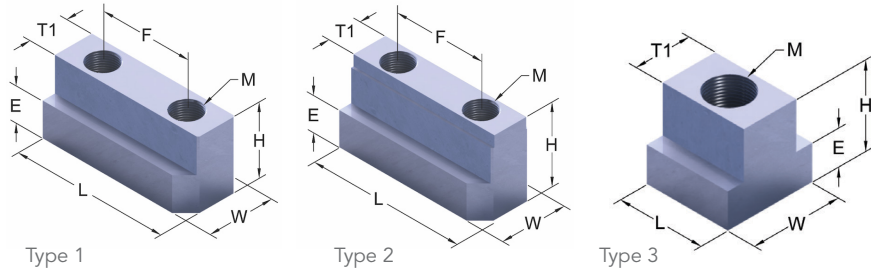
Made with 8620 case hardened steel.
Hard jaws are reversible for OD & ID chucking.
All hard jaws are available in one or two step sets.
All part #'s listed below are two step sets.
*Available with 1.5MM x 60° Serrations.



Ø Diameter	Part #	L Length	H Height	W Width	B Slot Width	F Bolt Spacing	I Screw Size
5	AB5RJ*	2.28	1.50	1.00	.472	.629	M8
6	PH6RJ	2.50	1.50	1.25	.433	.718	5/16
6.5	AB657RJ*	2.57	1.75	1.25	.551	.629	M10
	SMW65RJ	2.75	1.50	1.25	.551	.875	3/8
8	SMW8RJ	3.50	2.00	1.50	.669	.875	1/2
	HW12M8RJ	3.50	2.00	1.50	.669	.984	1/2
	AB8859RJ*	3.25	2.00	1.50	.669	.906	M12
8-10	AB810RJ*	4.125	2.50	1.75	.827	1.181	M16
	PH10RJ	3.00	1.75	1.25	.551	.875	3/8
10	PH10DRJ	4.125	2.50	1.75	.787	1.187	1/2
	SMW10RJ	4.25	2.50	1.75	.827	1.181	1/2
12	AB12RJ*	4.80	2.50	2.00	.827	1.181	M16
	PH12RJ	4.125	2.50	1.75	.787	1.187	1/2
	SMW125RJ	5.25	2.50	1.75	.827	1.181	1/2
15	PH15RJ	5.375	2.50	1.75	.827	1.563	5/8
16	AB166-RJ*	5.90	3.00	2.25	.827	1.339	M16
	AB16RJ*	4.75	3.00	2.25	.827	1.339	M16
18	PH18RJ	5.375	2.50	2.00	.827	1.563	5/8

1/16 x 90° Serrated — JAW NUTS

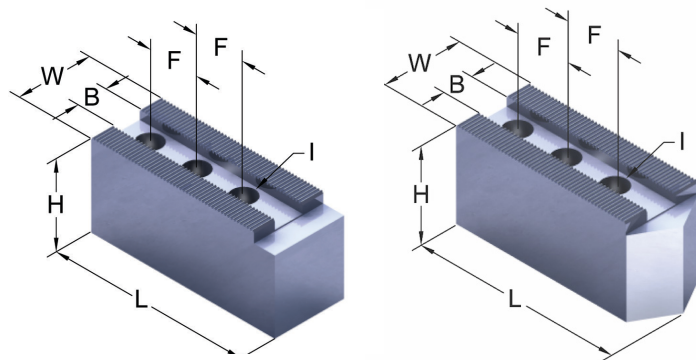
Made with 4140 PHT Alloy Steel



Ø Diameter	Part #	L Length	H Height	W Width	F Bolt Spacing	M Thread Size	T1 Tongue Width	E Heel Height	Type
5	AB5JN	1.181	.590	.669	.630	M8-1.25	.471	.256	1
6	PH6T	.625	.581	.530		5/16-18	.432	.252	3
6.5	AB657JN	.630	.790	.790		M10-1.50	.550	.300	3
	SMW65TN	.790	1.04	.790		3/8-16	.550	.370	3
8	AB8859JN	1.693	.807	.748	.906	M12-1.75	.668	.295	2
	HW12M8JN	1.78	1.102	.905	.984	1/2-13	.668	.394	1
	SMW8TN	.910	1.08	.910		1/2-13	.668	.370	3
8-10	AB810JN	.945	.984	1.14		M16-2.00	.826	.433	3
	PH10T	.750	.606	.750		3/8-16	.550	.252	3
10	HW29-12.5JN	1.97	1.18	1.102	1.181	1/2-13	.826	.433	1
10-12	AB1012JN	1.181	1.34	1.378		M20-2.50	1.003	.590	3
	AB12JN	2.205	1.043	.984	1.181	M16-2.00	.826	.394	2
	PH12T	1.000	.850	1.00		1/2-13	.786	.325	3
	SMW125TN	1.100	1.17	1.10		1/2-13	.826	.425	3
16	AB16JN	.937	.984	1.14		M16-2.00	.826	.430	3
15-18	PH15T	1.125	1.00	1.00		5/8-11	.826	.430	3

3/32 x 90° Serrated — SOFT JAWS

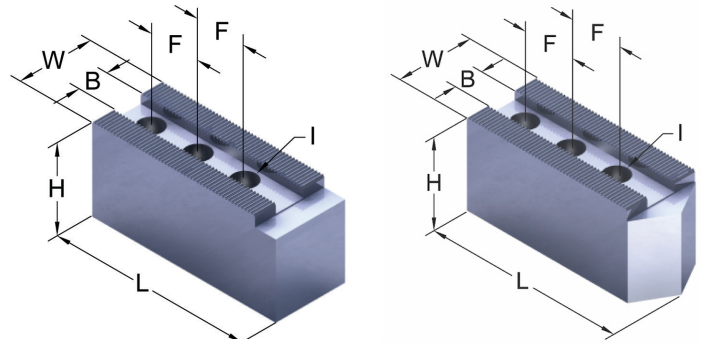
Add "A" to beginning of part number when ordering aluminum jaws.
Add "P" to end of part number when ordering pointed jaws.
Made with 1018 steel or 6061 aluminum.



Ø Diameter	Part #	L Length	H Height	W Width	B Slot Width	F Bolt Spacing	I Screw Size	# of Holes	
16	400WB	6.75	3.50	2.50	1.004	1.750	M20	2	
	400WBH	6.75	5.00	2.50	1.004	1.750	M20	2	
	400WBXH	6.75	6.00	2.50	1.004	1.750	M20	2	
	400WBS	7.50	3.50	2.50	1.004	1.500	M20	3	
	400WBSH	7.50	5.00	2.50	1.004	1.500	M20	3	
	400WBSXH	7.50	6.00	2.50	1.004	1.500	M20	3	
	400WBSES	8.50	3.50	2.50	1.004	1.500	M20	3	
	400WBSESH	8.50	5.00	2.50	1.004	1.500	M20	3	
	400WBSESXH	8.50	6.00	2.50	1.004	1.500	M20	3	
	16-20	DM4016	6.25	3.00	2.50	1.004	1.563	M20	3
		DM4016H	6.25	5.00	2.50	1.004	1.563	M20	3
		DM4216	8.00	3.00	2.50	1.004	1.563	M20	3
DM4216H		8.00	5.00	2.50	1.004	1.563	M20	3	
32-216		6.25	3.50	2.50	1.004	1.375	M20	2	
32-216H		6.25	5.00	2.50	1.004	1.375	M20	2	

3/32 x 90° Serrated — SOFT JAWS (continued)

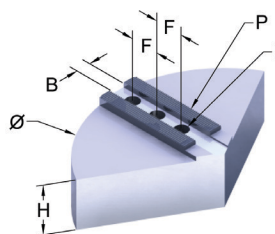
Add "A" to beginning of part number when ordering aluminum jaws.
Add "P" to end of part number when ordering pointed jaws.
Made with 1018 steel or 6061 aluminum.



Ø Diameter	Part #	L Length	H Height	W Width	B Slot Width	F Bolt Spacing	I Screw Size	# of Holes
16-20	32-316	7.25	3.50	2.50	1.004	1.375	M20	3
	32-316H	7.25	5.00	2.50	1.004	1.375	M20	3
	32-216L	8.25	3.50	2.50	1.004	1.375	M20	2
	32-216LH	8.25	5.00	2.50	1.004	1.375	M20	2
	32-316L	10.00	3.50	2.50	1.004	1.375	M20	3
	32-316LH	10.00	5.00	2.50	1.004	1.375	M20	3
	DMWB23	6.00	3.50	2.50	1.001	1.375	M20	3
	DMWB23H	6.00	5.00	2.50	1.001	1.375	M20	3
	DMWB23P	6.00	3.50	2.50	1.001	1.375	M20	3
	DMWB23HP	6.00	5.00	2.50	1.001	1.375	M20	3
20	AB20	6.70	2.50	2.50	1.102	1.500	M20	2
	AB20H	6.70	5.00	2.50	1.102	1.500	M20	2
	500WB	7.75	3.50	2.50	1.004	2.000	M20	2
	500WBH	7.75	5.00	2.50	1.004	2.000	M20	2
	500WBXH	7.75	6.00	2.50	1.004	2.000	M20	2
	500WBS	8.75	3.50	2.50	1.004	1.500	M20	3
	500WBSH	8.75	5.00	2.50	1.004	1.500	M20	3
	500WBSXH	8.75	6.00	2.50	1.004	1.500	M20	3
	500WBSSES	10.25	3.50	2.50	1.004	1.500	M20	3
	500WBSSESH	10.25	5.00	2.50	1.004	1.500	M20	3
500WBSSESHX	10.25	6.00	2.50	1.004	1.500	M20	3	
20-25	AB2025	6.30	2.50	2.50	1.004	1.500	M20	2
	AB2025H	6.30	5.00	2.50	1.004	1.500	M20	2
	AB24	6.30	3.00	3.00	1.102	1.500	M20	2
	AB24H	6.30	5.00	3.00	1.102	1.500	M20	2
25	630WB	9.50	3.50	3.00	1.181	3.000	1.0	2
	630WBH	9.50	5.00	3.00	1.181	3.000	1.0	2
	630WBXH	9.50	6.00	3.00	1.181	3.000	1.0	2
	630/265WB	10.25	3.50	2.50	1.004	2.250	M20	2
	630/265WBH	10.25	5.00	2.50	1.004	2.250	M20	2
	630/265WBXH	10.25	6.00	2.50	1.004	2.250	M20	2
	630/265WBS	12.25	3.50	2.50	1.004	2.000	M20	3
	630/265WBSH	12.25	5.00	2.50	1.004	2.000	M20	3
	630/265WBSXH	12.25	6.00	2.50	1.004	2.000	M20	3
	32-225	10.00	3.50	2.50	1.004	1.750	M20	2
	32-225H	10.00	5.00	2.50	1.004	1.750	M20	2
	32-225L	12.00	3.50	2.50	1.004	1.750	M20	2
	32-225LH	12.00	5.00	2.50	1.004	1.750	M20	2
25-31	DM4025	8.25	3.50	3.50	1.181	2.500	1.0	3
	DM4025H	8.25	5.00	3.50	1.181	2.500	1.0	3
	DM4225	11.00	3.50	3.50	1.181	2.500	1.0	3
	DM4225H	11.00	5.00	3.50	1.181	2.500	1.0	3
31.5	32-315	12.00	3.50	2.50	1.004	2.375	M20	2
	32-315H	12.00	5.00	2.50	1.004	2.375	M20	2
	32-315L	14.00	3.50	2.50	1.004	2.375	M20	2
	32-315LH	14.00	5.00	2.50	1.004	2.375	M20	2
	800WB	11.75	3.50	3.00	1.181	3.500	1.0	2
	800WBH	11.75	5.00	3.00	1.181	3.500	1.0	2
	800WBXH	11.75	6.00	3.00	1.181	3.500	1.0	2

3/32 x 90° Serrated — FULL GRIPS

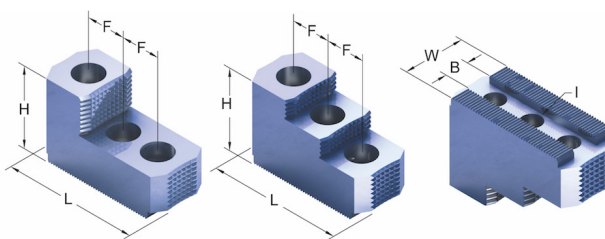
Made with 6061 aluminum
Add "C" to beginning of part number when ordering cast jaws.
Add "S" to beginning of part number when ordering steel jaws.



Ø Diameter	Part #	H Height	B Slot Width	F Bolt Spacing	I Screw Size	Set Ø
15	400WBFG	3.00	1.004	1.500	M20	15"
	400WBHFG	4.00	1.004	1.500	M20	15"
18	AB460FG	3.00	1.004	1.500	M20	18"
	AB460HFG	4.00	1.004	1.500	M20	18"
21	500WBFG	3.00	1.004	1.500	M20	21"
	500WBHFG	4.00	1.004	1.500	M20	21"
24	630WBFG	3.00	1.181	1.969	M24	24"
	630WBHFG	4.00	1.181	1.969	M24	24"

3/32 x 90° Serrated — HARD JAWS

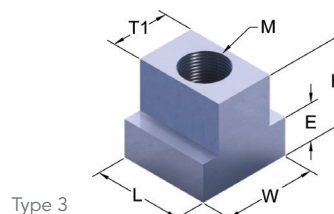
Made with 8620 case hardened steel.
Hard jaws are reversible for OD & ID chucking.
All hard jaws are available in one or two step sets.
All part #'s listed below are two step sets.



Ø Diameter	Part #	L Length	H Height	W Width	B Slot Width	F Bolt Spacing	I Screw Size
20	AB20RJ	5.719	3.00	2.50	1.102	1.500	M20
20-25	AB2025RJ	5.00	3.00	2.50	1.004	1.500	M20
24+	AB24RJ	5.719	3.00	2.76	1.102	1.500	M20
	630WBRJ	6.30	3.50	3.00	1.181	1.969	M24

3/32 x 90° Serrated — JAW NUTS

Made with 4140 PHT Alloy Steel



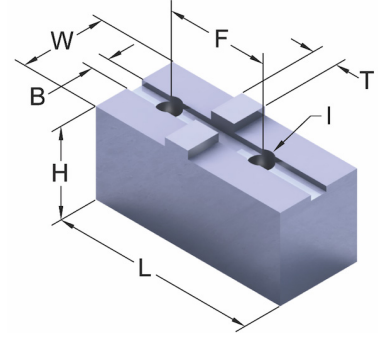
Ø Diameter	Part #	L Length	H Height	W Width	M Thread Size	T1 Tongue Width	E Heel Height	Type
16-20	1620TN	1.37	1.35	1.37	3/4	1.003	.563	3
20+	AB2025JN	1.181	1.34	1.375	M20	1.003	.590	3
	AB20JN	1.181	1.375	1.58	M20	1.101	.590	3
	AB24JN	1.26	1.58	1.58	M20	1.101	.61	3
25+	25TN	1.37	2.638	1.37	3/4	1.003	.571	3
	2540TN	1.772	1.752	1.772	1"	1.180	.728	3



This special hard jaw uses a tapered angle serrated surface to mirror the internal draft angle of the part to be machined.

American Standard Tongue & Groove — MEDIUM DUTY FLAT SOFT JAWS

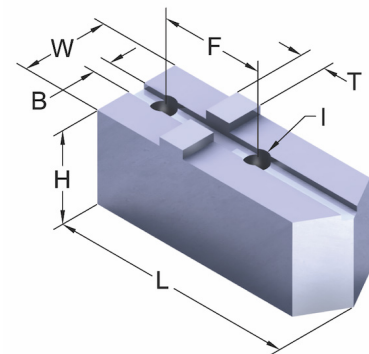
Add "A" to beginning of part number when ordering aluminum jaws.
Made with 1018 steel or 6061 aluminum.



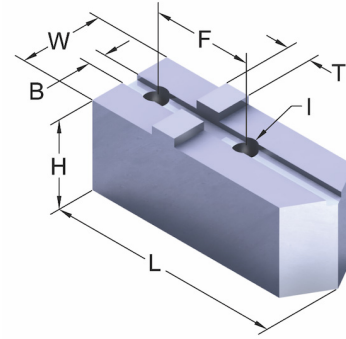
Ø Diameter	Part #	L Length	H Height	W Width	B Slot Width	F Bolt Spacing	T Tongue Width	I Screw Size
5	DM201445	2.625	1.625	1.25	.313	1.250	.499	5/16
	DM201439	2.625	3.375	1.25	.313	1.250	.499	5/16
	DM20105	2.625	1.375	1.00	.313	1.250	.499	5/16
	DM20105H	2.625	3.375	1.00	.313	1.250	.499	5/16
6	DM201447	2.625	1.625	1.25	.313	1.500	.499	3/8
	DM201471	2.625	3.375	1.25	.313	1.500	.499	3/8
	DM20106	3.00	1.375	1.00	.313	1.500	.499	3/8
	DM20106H	3.00	3.375	1.00	.313	1.500	.499	3/8
8	DM201450	3.50	1.625	1.25	.313	1.750	.499	3/8
	DM201474	3.50	3.375	1.25	.313	1.750	.499	3/8
	DM20108	3.75	1.875	1.25	.313	1.750	.499	3/8
	DM20108H	3.75	3.375	1.25	.313	1.750	.499	3/8
10	DM201452	4.25	1.875	1.50	.501	2.125	.749	1/2
	DM201476	4.25	3.375	1.50	.501	2.125	.749	1/2
	DM20110	4.625	1.875	1.50	.501	2.125	.749	1/2
	DM20110H	4.625	3.375	1.50	.501	2.125	.749	1/2
12	DM201454	4.875	2.375	1.75	.501	2.500	.749	1/2
	DM201478	4.875	3.875	1.75	.501	2.500	.749	1/2
	DM20112	5.375	2.375	1.75	.501	2.500	.749	1/2
	DM20112H	5.375	3.875	1.75	.501	2.500	.749	1/2
15	DM201456	5.625	2.25	2.00	.501	3.000	.749	5/8
	DM201480	5.625	3.75	2.00	.501	3.000	.749	5/8
	DM20115	6.25	2.25	1.75	.501	3.000	.749	5/8
	DM20115H	6.25	3.75	1.75	.501	3.000	.749	5/8
15-36	DM201457	5.625	2.25	2.00	.501	3.000	.749	3/4
	DM201481	5.625	4.75	2.00	.501	3.000	.749	3/4
18	DM20118	6.375	2.75	2.25	.501	3.000	.749	3/4
	DM20118H	6.375	4.75	2.25	.501	3.000	.749	3/4
24-36	DM201458	5.625	3.25	2.50	.501	3.000	.749	3/4
	DM201482	5.625	4.75	2.50	.501	3.000	.749	3/4

American Standard Tongue & Groove — MEDIUM DUTY POINTED SOFT JAWS

Add "A" to beginning of part number when ordering aluminum jaws.
Made with 1018 steel or 6061 aluminum.



Ø Diameter	Part #	L Length	H Height	W Width	B Slot Width	F Bolt Spacing	T Tongue Width	I Screw Size
5	DM201443	2.625	1.625	1.25	.313	1.250	.499	5/16
	DM201444	2.625	3.375	1.25	.313	1.250	.499	5/16
	DM20105P	2.625	1.375	1.00	.313	1.250	.499	5/16
	DM20105HP	2.625	3.375	1.00	.313	1.250	.499	5/16
6	DM201459	3.188	1.625	1.25	.313	1.500	.499	3/8
	DM201483	3.188	3.375	1.25	.313	1.500	.499	3/8



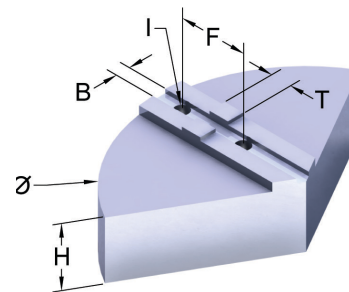
American Standard Tongue & Groove — MEDIUM DUTY POINTED SOFT JAWS (continued)

Add "A" to beginning of part number when ordering aluminum jaws.
Made with 1018 steel or 6061 aluminum.

Ø Diameter	Part #	L Length	H Height	W Width	B Slot Width	F Bolt Spacing	T Tongue Width	I Screw Size
6	DM20106P	3.00	1.375	1.00	.313	1.500	.499	3/8
	DM20106HP	3.00	3.375	1.00	.313	1.500	.499	3/8
8	DM201462	3.938	1.625	1.25	.313	1.750	.499	3/8
	DM201486	3.938	3.375	1.25	.313	1.750	.499	3/8
	DM20108P	3.75	1.875	1.25	.313	1.750	.499	3/8
	DM20108HP	3.75	3.375	1.25	.313	1.750	.499	3/8
10	DM201464	4.813	1.875	1.50	.501	2.125	.749	1/2
	DM201488	4.813	3.375	1.50	.501	2.125	.749	1/2
	DM20110P	4.625	1.875	1.50	.501	2.125	.749	1/2
	DM20110HP	4.625	3.375	1.50	.501	2.125	.749	1/2
12	DM201466	5.75	2.375	1.75	.501	2.500	.749	1/2
	DM201490	5.75	3.875	1.75	.501	2.500	.749	1/2
	DM20112P	5.375	2.375	1.75	.501	2.500	.749	1/2
	DM20112HP	5.375	3.875	1.75	.501	2.500	.749	1/2
15	DM201468	7.25	2.25	2.00	.501	3.000	.749	5/8
	DM201495	7.25	3.75	2.00	.501	3.000	.749	5/8
	DM20115P	6.25	2.25	1.75	.501	3.000	.749	5/8
	DM20115HP	6.25	3.75	1.75	.501	3.000	.749	5/8
18	DM20118P	6.375	2.75	2.25	.501	3.000	.749	3/4
	DM20118HP	6.375	4.75	2.25	.501	3.000	.749	3/4

American Standard Tongue & Groove — MEDIUM DUTY FULL GRIPS

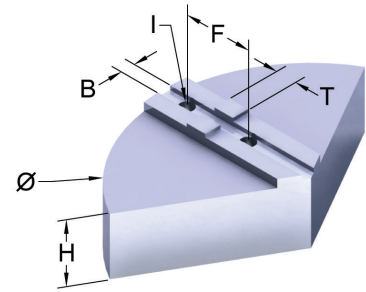
Made with 6061 aluminum.
Add "C" to beginning of part number when ordering cast iron jaws.
Add "S" to beginning of part number when ordering steel jaws.



Ø Diameter	Part #	H Height	B Slot Width	F Bolt Spacing	T Tongue Width	I Screw Size	Set Ø
6	DM6MDP	2.00	.313	1.500	.499	3/8	6"
	DM6MDPH	4.00	.313	1.500	.499	3/8	6"
	8D-6MDP	2.00	.313	1.500	.499	3/8	8"
	8D-6MDPH	4.00	.313	1.500	.499	3/8	8"
8	DM8MDP	2.00	.313	1.750	.499	3/8	8"
	DM8MDPH	4.00	.313	1.750	.499	3/8	8"
	DM8MDP-6H	6.00	.313	1.750	.499	3/8	8"
	10D-8MDP	2.00	.313	1.750	.499	3/8	10"
	10D-8MDPH	4.00	.313	1.750	.499	3/8	10"
	10D-8MDP-6H	6.00	.313	1.750	.499	3/8	10"
10	DM10MDP	2.00	.501	2.125	.749	1/2	10"
	DM10MDPH	4.00	.501	2.125	.749	1/2	10"
	DM10MDP6H	6.00	.501	2.125	.749	1/2	10"
	12D-10MDP	2.00	.501	2.125	.749	1/2	12"
	12D-10MDPH	4.00	.501	2.125	.749	1/2	12"
	15D-10MDP	3.00	.501	2.125	.749	1/2	15"
	15D-10MDPH	4.00	.501	2.125	.749	1/2	15"
	15D-10MDP-6H	6.00	.501	2.125	.749	1/2	15"

American Standard Tongue & Groove — MEDIUM DUTY FULL GRIPS (continued)

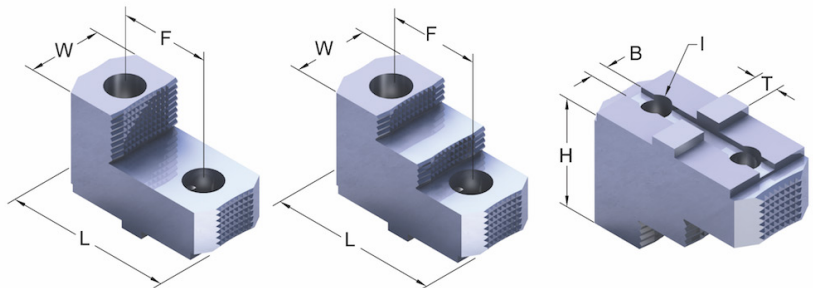
Made with 6061 aluminum.
Add "C" to beginning of part number when ordering cast iron jaws.
Add "S" to beginning of part number when ordering steel jaws.



Ø Diameter	Part #	H Height	B Slot Width	F Bolt Spacing	T Tongue Width	I Screw Size	Set Ø
12	DM12MDP	2.00	.501	2.500	.749	1/2	12"
	DM12MDPH	4.00	.501	2.500	.749	1/2	12"
	15D-12MDP	3.00	.501	2.500	.749	1/2	15"
	15D-12MDPH	4.00	.501	2.500	.749	1/2	15"
	18D-12MDP	3.00	.501	2.500	.749	1/2	18"
	18D-12MDPH	4.00	.501	2.500	.749	1/2	18"
15	DM15MDP	3.00	.501	3.000	.749	5/8	15"
	DM15MDPH	4.00	.501	3.000	.749	5/8	15"
	18D-15MDP	3.00	.501	3.000	.749	5/8	18"
	18D-15MDPH	4.00	.501	3.000	.749	5/8	18"
	24D-15MDP	3.00	.501	3.000	.749	5/8	24"
	24D-15MDPH	4.00	.501	3.000	.749	5/8	24"
18	DM18MDP	3.00	.501	3.000	.749	5/8	18"
	DM18MDPH	4.00	.501	3.000	.749	5/8	18"

American Standard Tongue & Groove — MEDIUM DUTY HARD JAWS

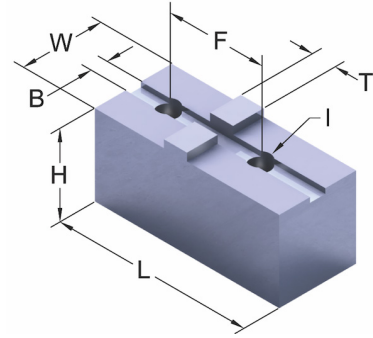
Made with 8620 case hardened steel.
Hard jaws are reversible for OD & ID chucking.
All hard jaws are available in one or two step sets.
All part #'s listed below are two step sets.
All hard jaws available in 3, 4 and 6 jaw sets.



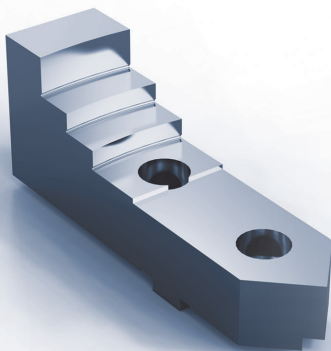
Ø Diameter	Part #	L Length	H Height	W Width	B Slot Width	F Bolt Spacing	T Tongue Width	I Screw Size
5	DM5BMD	2.205	1.39	.866	.313	1.250	.499	5/16
6	DM6MD	2.625	1.75	1.00	.313	1.500	.499	3/8
	DM6BMD	2.638	1.508	.984	.313	1.500	.499	3/8
8	DM8MD	3.563	1.875	1.25	.313	1.750	.499	3/8
	DM8BMD	3.347	1.587	1.063	.313	1.750	.499	3/8
10	DM10MD	4.00	2.375	1.75	.501	2.125	.749	1/2
	DM10BMD	3.74	1.897	1.28	.501	2.125	.749	1/2
12	DM12MD	4.625	2.375	1.75	.501	2.500	.749	1/2
	DM12BMD	4.331	2.039	1.457	.501	2.500	.749	1/2
15	DM15MD	5.50	3.25	2.50	.501	3.000	.749	5/8
	DM15BMD	5.00	2.288	1.654	.501	3.000	.749	5/8
15+	DM15HD	5.50	3.25	2.50	.501	3.000	.749	3/4
20	DM20BMD	5.00	2.685	1.654	.501	3.000	.749	3/4
25	DM25BMD	5.00	2.98	2.047	.501	3.000	.749	3/4

American Standard Tongue & Groove — HEAVY DUTY FLAT SOFT JAWS

Add "A" to beginning of part number when ordering aluminum jaws.
Made with 1018 steel or 6061 aluminum.



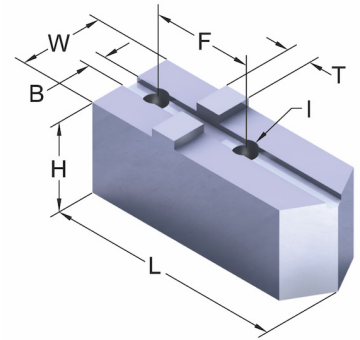
Ø Diameter	Part #	L Length	H Height	W Width	B Slot Width	F Bolt Spacing	T Tongue Width	I Screw Size
6	DM201448	2.625	1.625	1.25	.313	1.500	.499	7/16
	DM201473	2.625	3.375	1.25	.313	1.500	.499	7/16
	DM20206	3.00	1.375	1.50	.313	1.500	.499	7/16
	DM20206H	3.00	3.375	1.50	.313	1.500	.499	7/16
8	DM201451	3.50	1.875	1.50	.313	1.750	.499	1/2
	DM201475	3.50	3.375	1.50	.313	1.750	.499	1/2
	DM20208	3.75	1.875	1.50	.313	1.750	.499	1/2
	DM20208H	3.75	3.375	1.50	.313	1.750	.499	1/2
	DM8WS	3.50	2.125	1.25	.313	1.750	.499	1/2
	DM8WSH	3.50	3.375	1.25	.313	1.750	.499	1/2
10	DM201453	4.25	2.375	1.75	.501	2.125	.749	5/8
	DM201477	4.25	3.875	1.75	.501	2.125	.749	5/8
	DM20210	4.625	1.875	1.75	.501	2.125	.749	5/8
	DM20210H	4.625	3.875	1.75	.501	2.125	.749	5/8
	DM10WS	4.25	2.375	1.75	.501	2.125	.749	5/8
	DM10WSH	4.25	3.375	1.75	.501	2.125	.749	5/8
12	DM201455	4.875	2.375	2.00	.501	2.500	.749	5/8
	DM201479	4.875	4.875	2.00	.501	2.500	.749	5/8
	DM20212	5.375	2.375	2.00	.501	2.500	.749	5/8
	DM20212H	5.375	4.875	2.00	.501	2.500	.749	5/8
	DM12WS	4.875	2.375	1.75	.501	2.500	.749	5/8
	DM12WSH	4.875	3.375	1.75	.501	2.500	.749	5/8
15	DM20215	6.25	2.25	2.50	.501	3.000	.749	3/4
	DM20215H	6.25	4.75	2.50	.501	3.000	.749	3/4
	DM15WS	5.75	3.25	2.00	.501	3.000	.749	3/4
	DM15WSH	5.75	4.75	2.00	.501	3.000	.749	3/4
15-36	DM201457	5.625	2.25	2.00	.501	3.000	.749	3/4
	DM201481	5.625	4.75	2.00	.501	3.000	.749	3/4
18	DM18WS	6.00	3.25	2.50	.501	3.000	.749	3/4
	DM18WSH	6.00	4.75	2.50	.501	3.000	.749	3/4
18+	DM20218	6.375	2.75	3.00	.501	3.000	.749	3/4
	DM20218H	6.375	4.75	3.00	.501	3.000	.749	3/4
21	DM21WS	6.25	3.25	2.50	.501	3.000	.749	3/4
	DM21WSH	6.25	4.75	2.50	.501	3.000	.749	3/4
24	DM24WS	6.375	3.75	3.00	.501	3.000	.749	3/4
	DM24WSH	6.375	5.75	3.00	.501	3.000	.749	3/4
24-36	DM201458	5.625	3.25	2.50	.501	3.000	.749	3/4
	DM201482	5.625	4.75	2.50	.501	3.000	.749	3/4



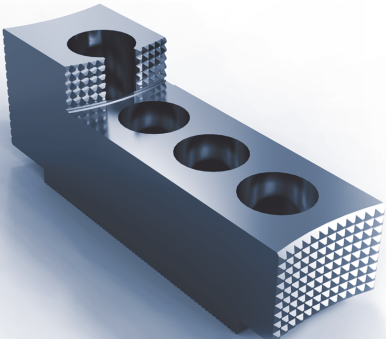
Hard jaws can be made for several specific diameters. This special hard jaw is designed without serrations to avoid marring the work piece.

American Standard Tongue & Groove — HEAVY DUTY POINTED SOFT JAWS

Add "A" to beginning of part number when ordering aluminum jaws.
Made with 1018 steel or 6061 aluminum.



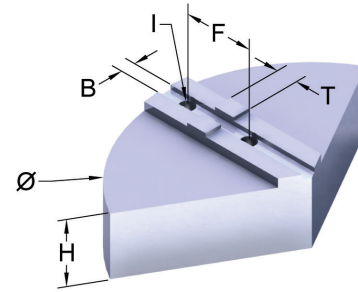
Ø Diameter	Part #	L Length	H Height	W Width	B Slot Width	F Bolt Spacing	T Tongue Width	I Screw Size
6	DM201460	3.188	1.625	1.25	.313	1.500	.499	7/16
	DM201484	3.188	3.375	1.25	.313	1.500	.499	7/16
	DM20206P	3.00	1.375	1.50	.313	1.500	.499	7/16
	DM20206HP	3.00	3.375	1.50	.313	1.500	.499	7/16
8	DM201463	3.938	1.875	1.50	.313	1.750	.499	1/2
	DM201487	3.938	3.375	1.50	.313	1.750	.499	1/2
	DM20208P	3.75	1.875	1.50	.313	1.750	.499	1/2
	DM20208HP	3.75	3.375	1.50	.313	1.750	.499	1/2
	DM8WSP	3.50	2.125	1.25	.313	1.750	.499	1/2
	DM8WSHP	3.50	3.375	1.25	.313	1.750	.499	1/2
10	DM201465	4.813	2.375	1.75	.501	2.125	.749	5/8
	DM201489	4.813	3.875	1.75	.501	2.125	.749	5/8
	DM20210P	4.625	1.875	1.75	.501	2.125	.749	5/8
	DM20210HP	4.625	3.875	1.75	.501	2.125	.749	5/8
	DM10WSP	4.25	2.375	1.75	.501	2.125	.749	5/8
	DM10WSHP	4.25	3.375	1.75	.501	2.125	.749	5/8
12	DM201467	5.75	2.375	2.00	.501	2.500	.749	5/8
	DM201491	5.75	3.875	2.00	.501	2.500	.749	5/8
	DM20212P	5.375	2.375	2.00	.501	2.500	.749	5/8
	DM20212HP	5.375	4.875	2.00	.501	2.500	.749	5/8
	DM12WSP	4.875	2.375	1.75	.501	2.500	.749	5/8
	DM12WSHP	4.875	3.375	1.75	.501	2.500	.749	5/8
15	DM20215P	6.25	2.25	2.50	.501	3.000	.749	3/4
	DM20215HP	6.25	4.75	2.50	.501	3.000	.749	3/4
	DM15WSP	5.75	3.25	2.00	.501	3.000	.749	3/4
	DM15WSHP	5.75	4.75	2.00	.501	3.000	.749	3/4
	DM201469	7.25	2.25	2.00	.501	3.000	.749	3/4
	DM201496	7.25	3.75	2.00	.501	3.000	.749	3/4
15-36	DM201519	7.25	3.25	2.50	.501	3.000	.749	3/4
	DM201520	7.25	4.75	2.50	.501	3.000	.749	3/4
18	DM18WSP	6.00	3.25	2.50	.501	3.000	.749	3/4
	DM18WSHP	6.00	4.75	2.50	.501	3.000	.749	3/4
18+	DM20218P	6.375	2.75	3.00	.501	3.000	.749	3/4
	DM20218HP	6.375	4.75	3.00	.501	3.000	.749	3/4
21	DM21WSP	6.25	3.25	2.50	.501	3.000	.749	3/4
	DM21WSHP	6.25	4.75	2.50	.501	3.000	.749	3/4
24	DM24WSP	6.375	3.75	3.00	.501	3.000	.749	3/4
	DM24WSHP	6.375	5.75	3.00	.501	3.000	.749	3/4



Extended length hard jaw built to grip small to medium diameters. Three locating diameters. Combined with the extra hole the jaw allows the machinist flexibility and quick part change over.

American Standard Tongue & Groove — HEAVY DUTY FULL GRIPS

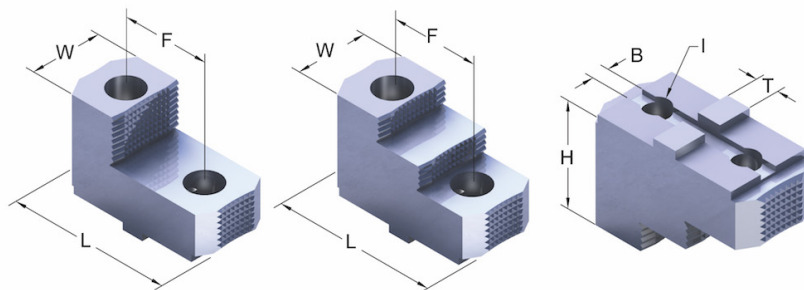
Made with 6061 aluminum.
Add "C" to beginning of part number when ordering cast iron jaws.
Add "S" to beginning of part number when ordering steel jaws.



Ø Diameter	Part #	H Height	B Slot Width	F Bolt Spacing	T Tongue Width	I Screw Size	Set Ø
6	DM6HDP	2.00	.313	1.500	.499	7/16	6"
	DM6HDPH	4.00	.313	1.500	.499	7/16	6"
	8D-6HDP	2.00	.313	1.500	.499	7/16	8"
	8D-6HDPH	4.00	.313	1.500	.499	7/16	8"
8	DM8HDP	2.00	.313	1.750	.499	1/2	8"
	DM8HDPH	4.00	.313	1.750	.499	1/2	8"
	DM8HDP-6H	6.00	.313	1.750	.499	1/2	8"
	10D-8HDP	2.00	.313	1.750	.499	1/2	10"
	10D-8HDPH	4.00	.313	1.750	.499	1/2	10"
10	DM10HDP	2.00	.501	2.125	.749	5/8	10"
	DM10HDPH	4.00	.501	2.125	.749	5/8	10"
	DM10HDP-6H	6.00	.501	2.125	.749	5/8	10"
	12D-10HDP	2.00	.501	2.125	.749	5/8	12"
12	DM12HDP	2.00	.501	2.500	.749	5/8	12"
	DM12HDPH	4.00	.501	2.500	.749	5/8	12"
	15D-12HDP	3.00	.501	2.500	.749	5/8	15"
	15D-12HDPH	4.00	.501	2.500	.749	5/8	15"
15+	DM15HDP	3.00	.501	3.000	.749	3/4	15"
	DM15HDPH	4.00	.501	3.000	.749	3/4	15"
	18D-15HDP	3.00	.501	3.000	.749	3/4	18"
	18D-15HDPH	4.00	.501	3.000	.749	3/4	18"
	24D-15HDP	3.00	.501	3.000	.749	3/4	24"
	24D-15HDPH	4.00	.501	3.000	.749	3/4	24"
18	DM18HDP	3.00	.501	3.000	.749	3/4	18"
	DM18HDPH	4.00	.501	3.000	.749	3/4	18"

American Standard Tongue & Groove — HEAVY DUTY HARD JAWS

Made with 8620 case hardened steel.
Hard jaws are reversible for OD & ID chucking.
All hard jaws are available in one or two step sets.
All part #'s listed below are two step sets.
All hard jaws available in 3, 4 and 6 jaw sets.



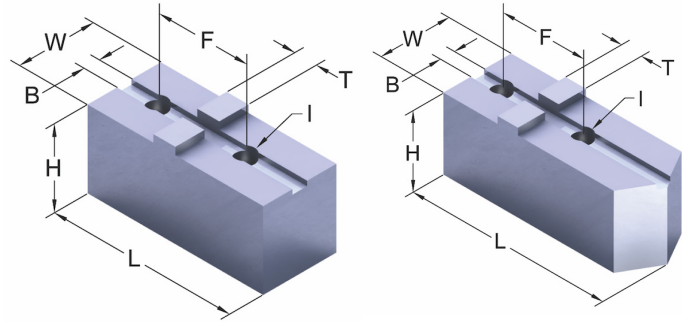
Ø Diameter	Part #	L Length	H Height	W Width	B Slot Width	F Bolt Spacing	T Tongue Width	I Screw Size
6	DM6HD	2.625	1.75	1.00	.313	1.500	.499	7/16
8	DM8HD	3.563	1.875	1.25	.313	1.750	.499	1/2
10	DM10HD	4.00	2.375	1.75	.501	2.125	.749	5/8
12	DM12HD	4.625	2.375	1.75	.501	2.500	.749	5/8
15+	DM15HD	5.50	3.25	2.50	.501	3.000	.749	3/4

Metric Tongue & Groove — SOFT JAWS STANDARD

Add "A" to beginning of part number when ordering aluminum jaws.

Add "P" to end of part number when ordering pointed jaws.

Made with 1018 steel or 6061 aluminum.



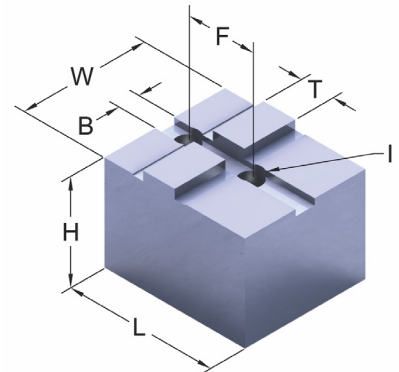
Ø Diameter	Part #	L Length	H Height	W Width	B Slot Width	F Bolt Spacing	T Tongue Width	I Screw Size
140-160MM	DMK140	2.75	1.50	.75	.315	1.260	.708	M8
175MM	DMK175	3.375	1.625	.75	.315	1.260	.708	M8
	DMK175H	3.375	2.875	.75	.315	1.260	.708	M8
	DMK175-1W	3.375	1.625	1.00	.315	1.260	.708	M8
	DMK175-1WH	3.375	2.875	1.00	.315	1.260	.708	M8
200MM	DMK200	4.125	1.875	1.00	.393	1.575	.787	M8
	DMK200H	4.125	3.375	1.00	.393	1.575	.787	M8
	DMK200-1.25W	4.125	1.875	1.25	.393	1.575	.787	M8
	DMK200-1.25WH	4.125	3.375	1.25	.393	1.575	.787	M8
250-315MM	DMK250	5.00	2.00	1.25	.472	1.575	.787	M12
	DMK250H	5.00	3.80	1.25	.472	1.575	.787	M12
	DMK250-1.5W	5.00	2.00	1.50	.472	1.575	.787	M12
	DMK250-1.5WH	5.00	3.80	1.50	.472	1.575	.787	M12
400MM	DMK400	5.719	2.25	1.50	.472	2.126	1.023	M12
	DMK400H	5.719	3.75	1.50	.472	2.126	1.023	M12
	DMK400-1.75W	5.719	2.25	1.75	.472	2.126	1.023	M12
	DMK400-1.75WH	5.719	3.75	1.75	.472	2.126	1.023	M12
	DMK400-2W	5.719	2.25	2.00	.472	2.126	1.023	M12
	DMK400-2WH	5.719	3.75	2.00	.472	2.126	1.023	M12
500-630MM	DMK500	7.063	3.00	1.75	.709	2.362	1.181	M16
	DMK500H	7.063	4.75	1.75	.709	2.362	1.181	M16
	DMK500-2W	7.063	3.00	2.00	.709	2.362	1.181	M16
	DMK500-2WH	7.063	4.75	2.00	.709	2.362	1.181	M16
	DMK500-2.5W	7.063	3.00	2.50	.709	2.362	1.181	M16
	DMK500-2.5WH	7.063	4.75	2.50	.709	2.362	1.181	M16

Metric Tongue & Groove — SOFT JAWS EXTRA WIDE

Add "A" to beginning of part number when ordering aluminum jaws.

Add "P" to end of part number when ordering pointed jaws.

Made with 1018 steel or 6061 aluminum.



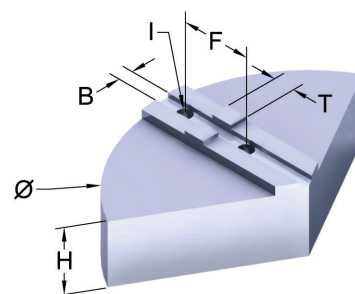
Ø Diameter	Part #	L Length	H Height	W Width	B Slot Width	F Bolt Spacing	T Tongue Width	I Screw Size
140-175MM	DMKB140	2.50	1.50	1.50	.315	1.260	.708	M8
200MM	DMKB200	2.75	1.80	1.75	.393	1.575	.787	M8
250MM	DMKB250	3.50	2.30	2.25	.472	1.575	.787	M12
315MM	DMKB315	3.50	2.30	3.00	.472	1.575	.787	M12
400MM	DMKB400	4.00	2.75	3.00	.472	2.126	1.023	M12
500MM	DMKB500	5.125	3.00	3.50	.709	2.362	1.181	M16
630MM	DMKB630	6.00	3.00	4.00	.709	2.362	1.181	M16

Metric Tongue & Groove — FULL GRIPS

Made with 6061 aluminum.

Add "C" to beginning of part number when ordering cast iron jaws.

Add "S" to beginning of part number when ordering steel jaws.



Ø Diameter	Part #	H Height	B Slot Width	F Bolt Spacing	T Tongue Width	I Screw Size	Set Ø
140-175MM	DMK140FG	2.00	.315	1.260	.708	M8	6"
	DMK140HFG	4.00	.315	1.260	.708	M8	6"
200MM	DMK200FG	2.00	.393	1.575	.787	M8	8"
	DMK200HFG	4.00	.393	1.575	.787	M8	8"
250MM	DMK250FG	2.00	.472	1.575	.787	M12	10"
	DMK250HFG	4.00	.472	1.575	.787	M12	10"
315MM	DMK315FG	2.00	.472	1.575	.787	M12	12"
	DMK315HFG	4.00	.472	1.575	.787	M12	12"
400MM	DMK400FG	3.00	.472	2.126	1.023	M12	15"
	DMK400HFG	4.00	.472	2.126	1.023	M12	15"
500MM	DMK500FG	3.00	.709	2.362	1.181	M16	21"
	DMK500HFG	4.00	.709	2.362	1.181	M16	21"
630MM	DMK630FG	3.00	.709	2.362	1.181	M16	24"
	DMK630HFG	4.00	.709	2.362	1.181	M16	24"

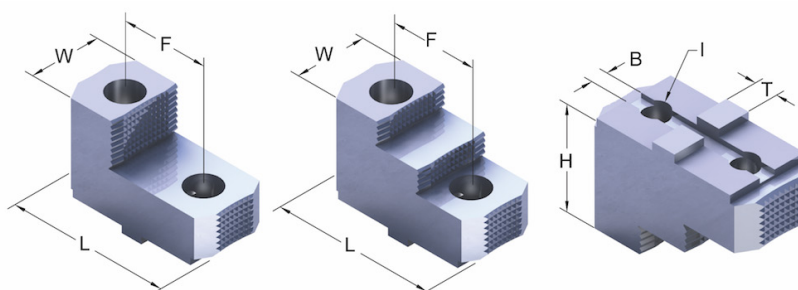
Metric Tongue & Groove — HARD JAWS

Made with 8620 case hardened steel.

Hard jaws are reversible for OD & ID chucking.

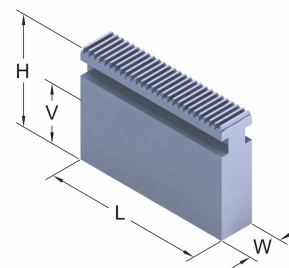
All hard jaws are available in one or two step sets.

All part #'s listed below are two step sets.



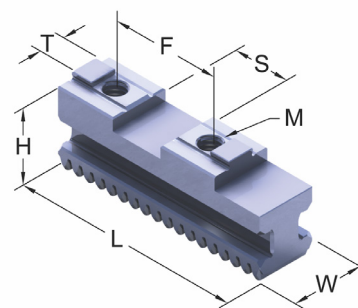
Ø Diameter	Part #	L Length	H Height	W Width	B Slot Width	F Bolt Spacing	T Tongue Width	I Screw Size
140-175MM	DMK140RJ	2.50	1.625	1.00	.315	1.260	.708	M8
200MM	DMK200RJ	3.00	1.625	1.00	.393	1.575	.787	M8
250-315MM	DMK250RJ	3.543	2.00	1.25	.472	1.575	.787	M12
400MM	DMK400RJ	4.134	2.50	1.50	.472	2.126	1.023	M12
500-630MM	DMK500RJ	5.118	3.00	1.75	.709	2.362	1.181	M16

Monoblock Jaws



Ø Diameter	Part #	L Length	H Height	W Width	V Height From Chuck Face
140MM	UVB140	2.283	2.185	.787	1.378
160-175MM	UVB160	2.559	2.165	.787	1.378
200MM	UVB200	3.307	2.559	.866	1.575
250MM	UVB250	3.898	3.307	1.024	2.165
315MM	UVB315	4.764	3.543	1.260	2.205
400MM	UVB400	5.827	3.937	1.260	2.598
500MM	UVB500	6.890	4.882	1.772	3.031
630MM	UVB630	9.055	5.276	1.772	3.425

Metric Tongue & Groove — BASE JAWS

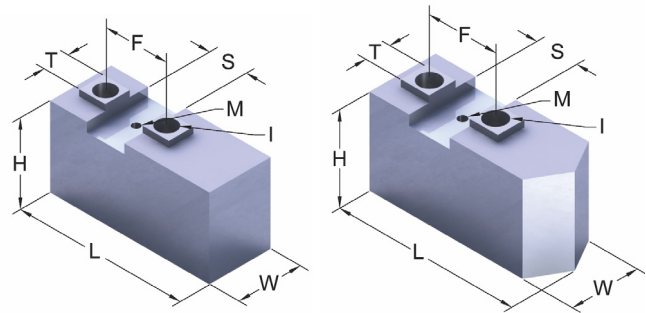


Ø Diameter	Part #	L Length	H Height	W Width	F Bolt Spacing	T Tongue Width	S Key Slot Width
140MM	GBK140	2.205	1.083	.787	1.260	.315	.709
160-175MM	GBK160	2.559	1.181	.787	1.260	.315	.709
200MM	GBK200	3.346	1.260	.866	1.575	.394	.787
250MM	GBK250	4.094	1.575	1.024	1.575	.472	.787
315MM	GBK315	4.528	1.811	1.260	1.575	.472	.787
400MM	GBK400	4.921	1.811	1.260	2.126	.472	1.024
500MM	GBK500	6.299	2.402	1.772	2.362	.709	1.181
630MM	GBK630	7.992	2.402	1.772	2.362	.709	1.181

Acme Serrated Key Type

— SOFT JAWS

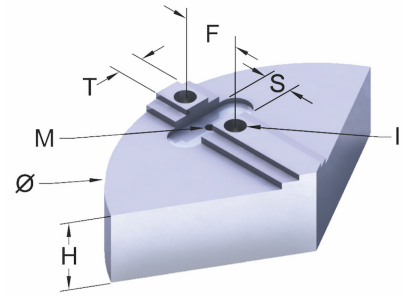
Add "A" to beginning of part number when ordering aluminum jaws.
 Add "P" to end of part number when ordering pointed jaws.
 Made with 1018 steel or 6061 aluminum.



Ø Diameter	Part #	L Length	H Height	W Width	F Bolt Spacing	T Tongue Width	S Key Slot Width	I Screw Size	M Thread Size
8	DM13068	3.75	2.00	1.50	1.250	.669	.601	1/2	10-24
	DM13068H	3.75	3.50	1.50	1.250	.669	.601	1/2	10-24
	DM13068-4H	3.75	4.00	1.50	1.250	.669	.601	1/2	10-24
10	DM13072	4.125	2.313	1.75	1.750	.749	1.031	1/2	5/16-18
	DM13602	4.125	3.813	1.75	1.750	.749	1.031	1/2	5/16-18
	DM13072-4.5L	4.50	2.313	1.75	1.750	.749	1.031	1/2	5/16-18
	DM13602-4.5L	4.50	3.813	1.75	1.750	.749	1.031	1/2	5/16-18
12	DM13605	5.625	2.313	1.75	1.750	.749	1.031	1/2	5/16-18
	DM13606	5.625	3.813	1.75	1.750	.749	1.031	1/2	5/16-18
	DM13605-6L	6.00	2.313	1.75	1.750	.749	1.031	1/2	5/16-18
	DM13606-6L	6.00	3.813	1.75	1.750	.749	1.031	1/2	5/16-18
	DM13071	4.125	2.313	1.75	2.000	.874	1.031	5/8	5/16-18
	DM13607	4.125	3.813	1.75	2.000	.874	1.031	5/8	5/16-18
	DM13609	5.125	2.313	1.75	2.000	.874	1.031	5/8	5/16-18
	DM13610	5.125	3.813	1.75	2.000	.874	1.031	5/8	5/16-18
	DM13609-5.5L	5.50	2.313	1.75	2.000	.874	1.031	5/8	5/16-18
	DM13610-5.5L	5.50	3.813	1.75	2.000	.874	1.031	5/8	5/16-18
	DM13609-6L	6.00	2.313	1.75	2.000	.874	1.031	5/8	5/16-18
	DM13610-6L	6.00	3.813	1.75	2.000	.874	1.031	5/8	5/16-18
15-18	DM13070	6.00	3.25	2.50	2.500	.999	1.531	3/4	3/8-16
	DM13611	6.00	4.75	2.50	2.500	.999	1.531	3/4	3/8-16
	DM13070-6.5L	6.50	3.25	2.50	2.500	.999	1.531	3/4	3/8-16
	DM13611-6.5L	6.50	4.75	2.50	2.500	.999	1.531	3/4	3/8-16
	DM13070-7.5L	7.50	3.25	2.50	2.500	.999	1.531	3/4	3/8-16
	DM13611-7.5L	7.50	4.75	2.50	2.500	.999	1.531	3/4	3/8-16
21-24	DM13069	6.00	3.25	3.00	3.000	1.249	1.531	7/8	3/8-16
	DM13618	6.00	4.75	3.00	3.000	1.249	1.531	7/8	3/8-16

Acme Serrated Key Type — FULL GRIPS

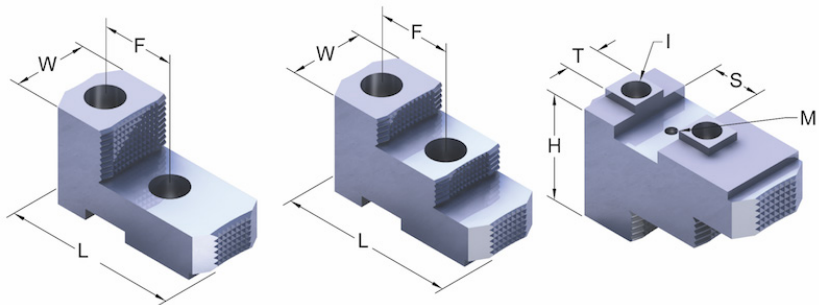
Made with 6061 aluminum.
Add "C" to beginning of part number when ordering cast iron jaws.
Add "S" to beginning of part number when ordering steel jaws.



Ø Diameter	Part #	H Height	F Bolt Spacing	T Tongue Width	S Key Slot Width	I Screw Size	M Thread Size	Set Ø
8	DM13068FG	2.00	1.250	.669	.601	1/2	10-24	8"
	DM13068HFG	4.00	1.250	.669	.601	1/2	10-24	8"
10	DM13072FG	2.00	1.750	.749	1.031	1/2	5/16-18	10"
	DM13072HFG	4.00	1.750	.749	1.031	1/2	5/16-18	10"
12	DM13605FG	2.00	1.750	.749	1.031	1/2	5/16-18	12"
	DM13605HFG	4.00	1.750	.749	1.031	1/2	5/16-18	12"
	DM13071FG	2.00	2.000	.874	1.031	5/8	5/16-18	12"
	DM13071HFG	4.00	2.000	.874	1.031	5/8	5/16-18	12"
15	DM13070FG	3.00	2.500	.999	1.531	3/4	3/8-16	15"
	DM13070HFG	4.00	2.500	.999	1.531	3/4	3/8-16	15"
21	DM13069FG	3.00	3.000	1.249	1.531	7/8	3/8-16	21"
	DM13069HFG	4.00	3.000	1.249	1.531	7/8	3/8-16	21"

Acme Serrated Key Type — HARD JAWS

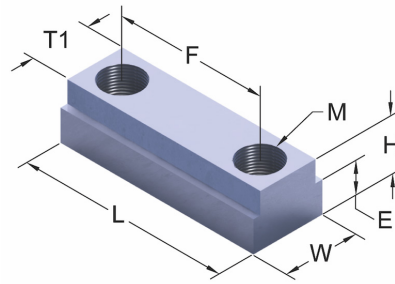
Made with 8620 case hardened steel.
Hard jaws are reversible for OD & ID chucking.
All hard jaws are available in one or two step sets.
All part #'s listed below are two step sets.



Ø Diameter	Part #	L Length	H Height	W Width	F Bolt Spacing	T Tongue Width	S Key Slot Width	I Screw Size	M Thread Size
8	DM13068RJ	3.75	2.00	1.50	1.250	.669	.601	1/2	10-24
10	DM13072RJ	4.75	2.313	1.75	1.750	.749	1.031	1/2	5/16-18
12	DM13071RJ	5.125	2.313	1.75	2.000	.874	1.031	5/8	5/16-18
15-18	DM13070RJ	6.00	3.25	2.50	2.500	.999	1.531	3/4	3/8-16
21-24	DM13069RJ	6.00	3.25	3.00	3.000	1.249	1.531	7/8	3/8-16

Acme Serrated Key Type — JAW NUTS

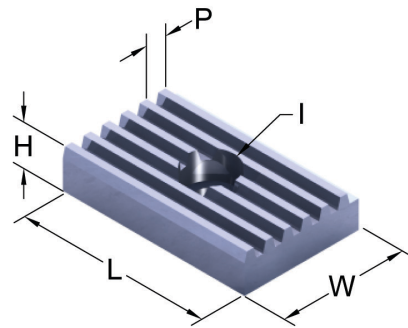
Made with 4140 PHT Alloy Steel



Ø Diameter	Part #	L Length	H Height	W Width	F Bolt Spacing	M Thread Size	T1 Tongue Width	E Heel Height
8	DM8JNA	2.00	1.00	1.03	1.250	1/2-13	.668	.440
10	DM10JNA	2.50	.640	.940	1.750	1/2-13	.678	.381
12	DM12JNA	3.00	.745	1.06	2.000	5/8-11	.802	.440
15	DM15JNA	3.50	.931	1.25	2.500	3/4-10	.930	.550
21-24	DM21JNA	4.25	1.187	1.56	3.000	7/8-9	1.159	.684

Acme Serrated Key Type — ACME SERRATED MASTER KEYS

Made with 4140 PHT Alloy Steel

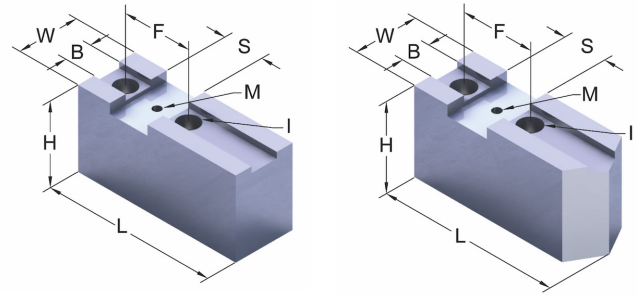


Ø Diameter	Part #	L Length	H Height	W Width	I Screw Size	P Pitch
8	DM8AK	1.50	.383	.600	10-24	5/32
10-12	DM12AK	1.687	.500	1.030	5/16	1/4
15-18	DM15AK	2.437	.500	1.530	3/8	1/4
21-24	DM21AK	2.875	.500	1.530	3/8	1/4

Square Serrated Key Type

— SOFT JAWS

Add "A" to beginning of part number when ordering aluminum jaws.
 Add "P" to end of part number when ordering pointed jaws.
 Made with 1018 steel or 6061 aluminum.

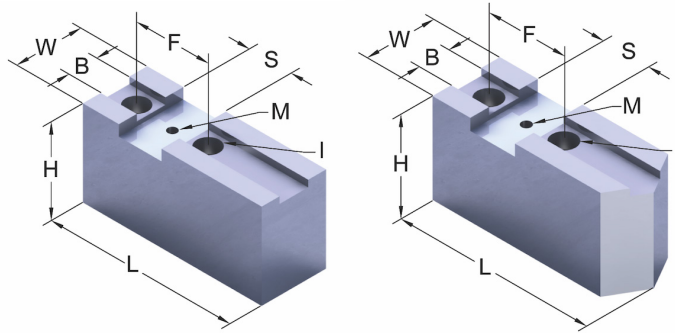


Ø Diameter	Part #	L Length	H Height	W Width	B Slot Width	F Bolt Spacing	S Key Slot Width	I Screw Size	M Thread Size
8	DM204570	3.00	2.00	1.25	.501	1.438	.746	3/8	1/4-20
	DM204002	3.00	3.00	1.25	.501	1.438	.746	3/8	1/4-20
	DM204001	3.00	2.25	2.00	.501	1.250	.625	1/2	N/A
	DM204003	3.00	3.00	2.00	.501	1.250	.625	1/2	N/A
	DM204007	3.437	1.75	1.50	.751	1.438	.746	1/2	1/4-20
	DM204008	3.437	3.00	1.50	.751	1.438	.746	1/2	1/4-20
10	DM204009	4.313	2.00	1.75	.751	1.750	.996	1/2	5/16-18
	DM204010	4.313	4.00	1.75	.751	1.750	.996	1/2	5/16-18
	DM204011	4.00	2.25	2.00	.626	1.750	.751	1/2	1/4-20
	DM204012	4.00	4.00	2.00	.626	1.750	.751	1/2	1/4-20
10-12	DM204571	4.00	2.25	1.75	.751	1.750	.996	1/2	5/16-18
	DM215806	4.00	4.00	1.75	.751	1.750	.996	1/2	5/16-18
12	DM204015	4.937	2.25	1.75	.751	1.750	.996	5/8	5/16-18
	DM204016	4.937	4.00	1.75	.751	1.750	.996	5/8	5/16-18
	DM204019	5.50	2.50	2.00	.751	1.750	.996	1/2	5/16-18
	DM204020	5.50	4.00	2.00	.751	1.750	.996	1/2	5/16-18
	DM215813	5.50	2.50	2.00	.751	1.750	.996	5/8	5/16-18
	DM215814	5.50	4.00	2.00	.751	1.750	.996	5/8	5/16-18
	DM204021	5.50	2.50	2.00	.751	1.750	.996	5/8	5/16-18
	DM204022	5.50	4.00	2.00	.751	1.750	.996	5/8	5/16-18
	DM215815	5.00	2.50	1.75	.751	1.750	.996	5/8	5/16-18
	DM215816	5.00	4.00	1.75	.751	1.750	.996	5/8	5/16-18
15	DM204023	6.00	2.50	2.25	1.001	2.500	1.488	3/4	3/8-16
	DM204024	6.00	4.00	2.25	1.001	2.500	1.488	3/4	3/8-16
	DM204572	5.00	3.00	2.25	1.001	2.500	1.488	3/4	3/8-16
	DM215818	5.00	5.00	2.25	1.001	2.500	1.488	3/4	3/8-16
	DM215823	6.813	3.00	2.25	1.001	2.500	1.488	3/4	3/8-16
	DM215824	6.813	5.00	2.25	1.001	2.500	1.488	3/4	3/8-16
	DM204025	6.25	3.00	2.25	1.001	2.500	1.488	3/4	3/8-16
	DM204026	6.25	5.00	2.25	1.001	2.500	1.488	3/4	3/8-16

Square Serrated Key Type

— SOFT JAWS (continued)

Add "A" to beginning of part number when ordering aluminum jaws.
Add "P" to end of part number when ordering pointed jaws.
Made with 1018 steel or 6061 aluminum.

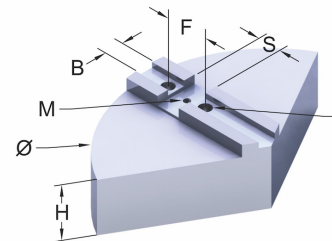


Ø Diameter	Part #	L Length	H Height	W Width	B Slot Width	F Bolt Spacing	S Key Slot Width	I Screw Size	M Thread Size
18	DM204027	5.00	3.00	2.50	1.001	2.500	1.488	3/4	3/8-16
	DM204028	5.00	5.00	2.50	1.001	2.500	1.488	3/4	3/8-16
	DM204029	6.00	3.00	2.50	1.001	2.500	1.488	3/4	3/8-16
	DM204030	6.00	5.00	2.50	1.001	2.500	1.488	3/4	3/8-16
21-24	DM215825	5.00	3.00	2.25	1.001	3.000	1.488	3/4	3/8-16
	DM215826	5.00	5.00	2.25	1.001	3.000	1.488	3/4	3/8-16
	DM204031	5.00	3.00	2.50	1.001	3.000	1.488	3/4	3/8-16
	DM204032	5.00	5.00	2.50	1.001	3.000	1.488	3/4	3/8-16
	DM204033	6.25	3.00	2.50	1.001	3.000	1.488	3/4	3/8-16
	DM204034	6.25	5.00	2.50	1.001	3.000	1.488	3/4	3/8-16
24-32	DM204035	6.00	3.00	2.50	1.001	3.000	1.488	3/4	3/8-16
	DM204036	6.00	5.00	2.50	1.001	3.000	1.488	3/4	3/8-16
28-36	DM204037	6.50	3.50	3.00	1.188	3.000	1.532	7/8	3/8-16
	DM204038	6.50	5.00	3.00	1.188	3.000	1.532	7/8	3/8-16

Square Serrated Key Type

— FULL GRIPS

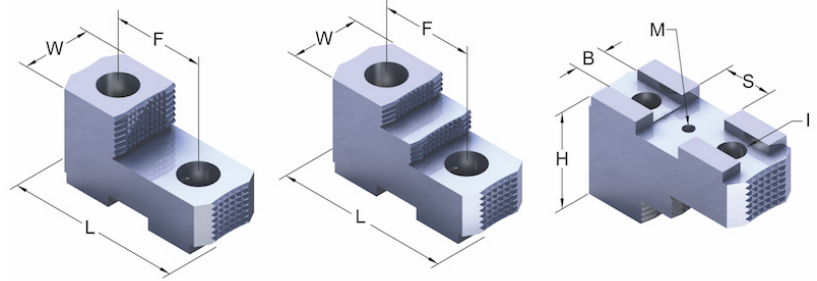
Made with 6061 aluminum.
Add "C" to beginning of part number when ordering cast iron jaws.
Add "S" to beginning of part number when ordering steel jaws.



Ø Diameter	Part #	H Height	B Slot Width	F Bolt Spacing	S Key Slot Width	I Screw Size	M Thread Size	Set Ø
8	DM8ARFG	2.00	.501	1.438	.746	3/8	1/4-20	8"
	DM8ARHFG	4.00	.501	1.438	.746	3/8	1/4-20	8"
	DM204007FG	2.00	.751	1.438	.746	1/2	1/4-20	8"
	DM204008FG	4.00	.751	1.438	.746	1/2	1/4-20	8"
10	DM10ARFG	2.00	.751	1.750	.996	1/2	5/16-18	10"
	DM10ARHFG	4.00	.751	1.750	.996	1/2	5/16-18	10"
	DM10ARFG58	2.00	.751	1.750	.996	5/8	5/16-18	10"
	DM10ARHFG58	4.00	.751	1.750	.996	5/8	5/16-18	10"
12	DM12ARFG	2.00	.751	1.750	.996	1/2	5/16-18	12"
	DM12ARHFG	4.00	.751	1.750	.996	1/2	5/16-18	12"
	DM12ARFG58	2.00	.751	1.750	.996	5/8	5/16-18	12"
	DM12ARHFG58	4.00	.751	1.750	.996	5/8	5/16-18	12"
15	DM15ARFG	3.00	1.001	2.500	1.488	3/4	3/8-16	15"
	DM15ARHFG	4.00	1.001	2.500	1.488	3/4	3/8-16	15"
18	DM18ARFG	3.00	1.001	2.500	1.488	3/4	3/8-16	15"
	DM18ARHFG	4.00	1.001	2.500	1.488	3/4	3/8-16	15"

Square Serrated Key Type — HARD JAWS

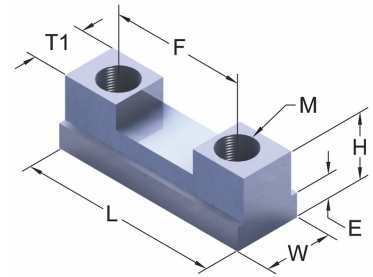
Made with 8620 case hardened steel.
Hard jaws are reversible for OD & ID chucking.
All hard jaws are available in one or two step sets.
All part #'s listed below are two step sets.



Ø Diameter	Part #	L Length	H Height	W Width	B Slot Width	F Bolt Spacing	S Key Slot Width	I Screw Size	M Thread Size
8	DM204007RJ	3.75	2.00	1.50	.751	1.438	.746	1/2	1/4-20
10	DM12AR	3.781	2.50	1.75	.751	1.750	.996	1/2	5/16-18
12	DM12AR58	3.781	2.50	1.75	.751	1.750	.996	5/8	5/16-18
15-18	DM18AR	4.75	3.00	2.25	1.001	2.500	1.488	3/4	3/8-16
21-24	DM21AR	6.00	3.50	2.50	1.001	3.000	1.488	3/4	3/8-16
28-36	DM28AR	6.50	3.50	3.00	1.188	3.000	1.532	7/8	3/8-16

Square Serrated Key Type — JAW NUTS

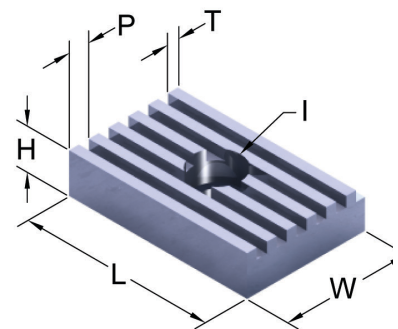
Made with 4140 PHT Alloy Steel



Ø Diameter	Part #	L Length	H Height	W Width	F Bolt Spacing	M Thread Size	T1 Tongue Width	E Heel Height
8	DM8CCJ	2.11	.996	.993	1.440	1/2-13	.745	.376
10-12	DM10/12CCJ	2.44	1.000	1.000	1.750	1/2-13	.750	.375
12	DM12CCJ	2.50	1.000	1.000	1.750	5/8-11	.750	.375
15-18	DM15/18JN	3.75	1.250	1.250	2.500	3/4-10	1.000	.438
21-24	DM21CCJ	4.50	1.250	1.250	3.000	3/4-10	1.000	.438
28-36	DM28CCJ	4.50	1.750	1.562	3.000	7/8-9	1.187	.628

Square Serrated Key Type — SQUARE SERRATED MASTER KEYS

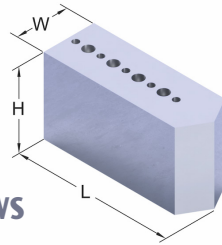
Made with 4140 PHT Alloy Steel



Ø Diameter	Part #	L Length	H Height	W Width	T Tongue Width	I Screw Size	P Pitch	A Slot Depth
8	DM8CCA	1.406	.435	.744	.075	1/4	.155	.101
	DM8SQK	1.313	.375	.744	.098	1/4	.200	.101
10-12	DM12SQK	1.688	.500	.995	.124	5/16	.250	.130
15	DM15SQK	2.00	.500	1.487	.124	3/8	.250	.130
18	DM18SQK	2.25	.500	1.487	.124	3/8	.250	.130
21-24	DM21SQK	2.50	.500	1.487	.124	3/8	.250	.130
28-36	DM28SQK	2.50	.500	1.531	.124	3/8	.250	.130

Pin Location Type

— NORTHFIELD TYPE SOFT JAWS

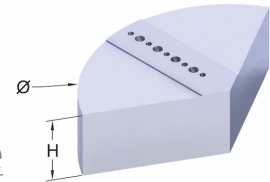


Add "A" to beginning of part number when ordering aluminum jaws.
Made with 1018 steel or 6061 aluminum.

Ø Diameter	Part #	L Length	H Height	W Width
4	NL-1-4-.75	1.897	.750	.75
	NL-1-4-1.5	1.897	1.50	.75
	NL-1-4-2	1.897	2.00	.75
	NL-1-4-3	1.897	3.00	.75
6	NL-1-6-1	2.897	1.00	1.00
	NL-1-6-1.5	2.897	1.50	1.00
	NL-1-6-2	2.897	2.00	1.00
	NL-1-6-3	2.897	3.00	1.00
7	NL-1-7-2	3.187	2.00	2.00
	NL-1-7-3	3.187	3.00	2.00
	NL-1-7-4	3.187	4.00	2.00
8	NL-1-8-2	3.687	2.00	2.00
	NL-1-8-3	3.687	3.00	2.00
	NL-1-8-4	3.687	4.00	2.00
10	NL-1-10-2	4.687	2.00	2.00
	NL-1-10-3	4.687	3.00	2.00
	NL-1-10-4	4.687	4.00	2.00
12	NL-1-12-3	5.499	3.00	3.00
	NL-1-12-4	5.499	4.00	3.00
	NL-1-12-5	5.499	5.00	3.00

Pin Location Type

— NORTHFIELD TYPE FULL GRIPS

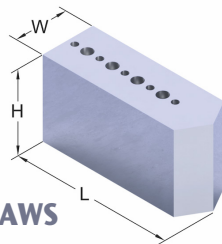


Add "S" to beginning of part number when ordering steel jaws.
Made with 6061 aluminum or 1018 steel.

Ø Diameter	Part #	H Height
4	NL-4-1	1.00
	NL-4-2	2.00
	NL-4-3	3.00
6	NL-6-1	1.00
	NL-6-1.5	1.50
	NL-6-2	2.00
7	NL-6-3	3.00
	NL-7-2	2.00
	NL-7-3	3.00
8	NL-7-4	4.00
	NL-8-2	2.00
10	NL-8-3	3.00
	NL-8-4	4.00
	NL-10-2	2.00
	NL-10-3	3.00
	NL-10-4	4.00

Pin Location Type

— MICROCENTRIC TYPE SOFT JAWS

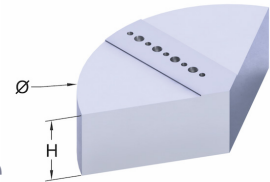


Add "A" to beginning of part number when ordering aluminum jaws.
Made with 1018 steel or 6061 aluminum.

Ø Diameter	Part #	L Length	H Height	W Width
4	MC-1-4-1	1.93	1.00	.75
	MC-1-4-1.5	1.93	1.50	.75
	MC-1-4-2	1.93	2.00	.75
6	MC-1-6-1	2.955	1.00	1.00
	MC-1-6-1.5	2.955	1.50	1.00
	MC-1-6-2	2.955	2.00	1.00
	MC-1-6-3	2.955	3.00	1.00
8	MC-1-8-2	3.743	2.00	1.50
	MC-1-8-3	3.743	3.00	1.50
	MC-1-8-4	3.743	4.00	1.50
10	MC-1-10-2	4.743	2.00	1.50
	MC-1-10-3	4.743	3.00	1.50

Pin Location Type

— MICROCENTRIC TYPE FULL GRIPS

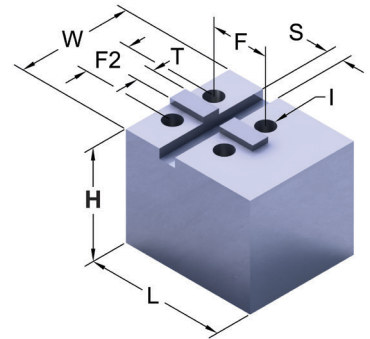


Add "S" to beginning of part number when ordering steel jaws.
Made with 6061 aluminum or 1018 steel.

Ø Diameter	Part #	H Height
4	MC-4-1	1.00
	MC-4-2	2.00
	MC-4-3	3.00
6	MC-6-1.5	1.50
	MC-6-2	2.00
	MC-6-3	3.00
8	MC-8-2	2.00
	MC-8-3	3.00
	MC-8-4	4.00
10	MC-10-2	2.00
	MC-10-3	3.00
	MC-10-4	4.00
12	MC-12-2	2.00
	MC-12-3	3.00

New Britain Soft Jaws

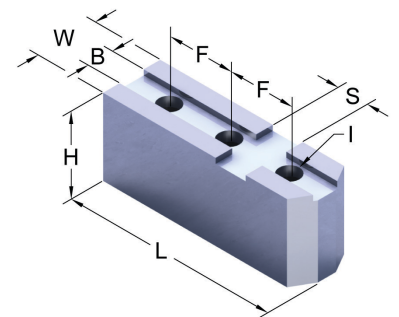
Add "A" to beginning of part number when ordering aluminum jaws.
 Add "P" to end part number when ordering pointed jaws.
 Made with 1018 steel or 6061 aluminum.



Ø Diameter	Part #	L Length	WT Weight	H Height	W Width	F Bolt Spacing	T Tongue Width	F2 Bolt Spacing 2	S Key Slot Width	I Screw Size
5 7/8	DM5NB	2.625	2.8	1.875	2.00	1.000	.499	N/A	.376	3/8
6 3/4	DM6NB	3.00	5.1	2.375	2.50	1.250	.374	1.000	.376	3/8
7 1/2	DM7NB	3.375	5.7	2.375	2.50	1.438	.374	1.063	.376	1/2

Howa H018 Soft Jaws

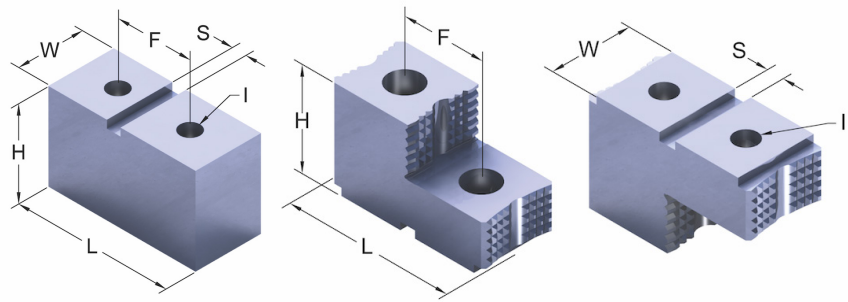
Add "A" to beginning of part number when ordering aluminum jaws.
 Made with 1018 steel or 6061 aluminum.



Ø Diameter	Part #	L Length	H Height	W Width	B Slot Width	F Bolt Spacing	S Key Slot Width	I Screw Size
8	HW18M8	3.94	1.50	1.25	.551	1.260	.630	M10
10	HW18M10	4.33	1.75	1.25	.630	1.339	.630	M12
12	HW18M12	5.12	2.00	1.50	.630	1.575	.787	M12
15	HW18M15	6.30	2.50	1.50	.630	2.165	.984	M12

Bullard Jaws

Add "A" to beginning of part number for aluminum jaws.
 Made with 1018 steel or 6061 aluminum.
 Hard jaws made with 8620 case hardened steel.



Ø Diameter	Part #	L Length	H Height	W Width	F Bolt Spacing	S Key Slot Width	I Screw Size
------------	--------	----------	----------	---------	----------------	------------------	--------------

Soft Jaws

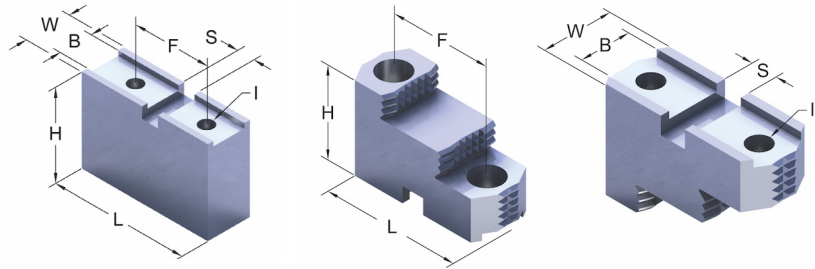
36+	DMBUL36	6.625	4.00	3.00	3.250	.626	7/8
-----	---------	-------	------	------	-------	------	-----

Hard Jaws

36+	DMBUL36RJ	6.625	4.00	3.00	3.250	.626	7/8
	DMBUL36RJ4	6.625	4.00	3.00	3.250	.626	7/8

Buck Jaws

Add "A" to beginning of part number for aluminum jaws.
 Add "P" to end part number when ordering pointed jaws.
 Made with 1018 steel or 6061 aluminum.
 Hard jaws made with 8620 case hardened steel.
 Hard jaws are reversible for OD & ID chucking.
 All hard jaws are available in one or two step sets.
 All part #'s listed below are two step sets.



Ø Diameter	Part #	L Length	H Height	W Width	B Slot Width	F Bolt Spacing	S Key Slot Width	I Screw Size
------------	--------	----------	----------	---------	--------------	----------------	------------------	--------------

Soft Jaws

6	DM1050	3.00	2.00	1.00	.741	1.688	.375	5/16
7.5	DM1105	3.188	2.00	1.25	.866	1.688	.375	5/16

Hard Jaws

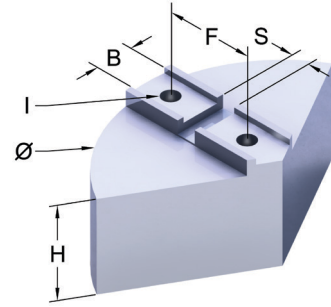
6	DM1050RJ	2.531	1.50	1.00	.741	1.688	.375	5/16
---	----------	-------	------	------	------	-------	------	------

Buck Full Grips

Made with 6061 aluminum.

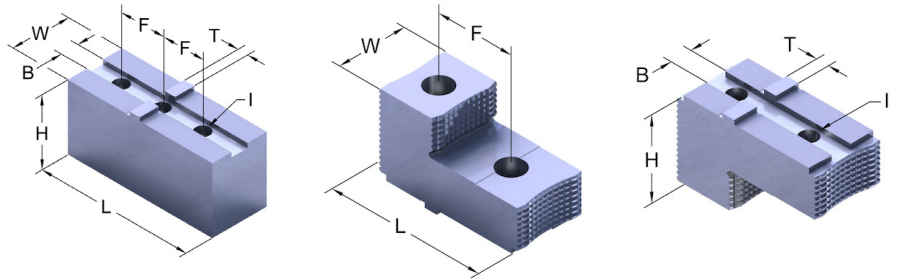
Add "C" to beginning of part number when ordering cast iron jaws.

Add "S" to beginning of part number when ordering steel jaws.



Ø Diameter	Part #	H Height	B Slot Width	F Bolt Spacing	S Key Slot Width	I Screw Size	Set Ø
6	DM1050FG	2.00	.741	1.688	.375	5/16	6

Samchully HC32-40



Ø Diameter	Part #	L Length	H Height	W Width	B Slot Width	T Tongue Width	F Bolt Spacing	F2 Bolt Spacing 2	I Screw Size	# of Holes
------------	--------	----------	----------	---------	--------------	----------------	----------------	-------------------	--------------	------------

Soft Jaws

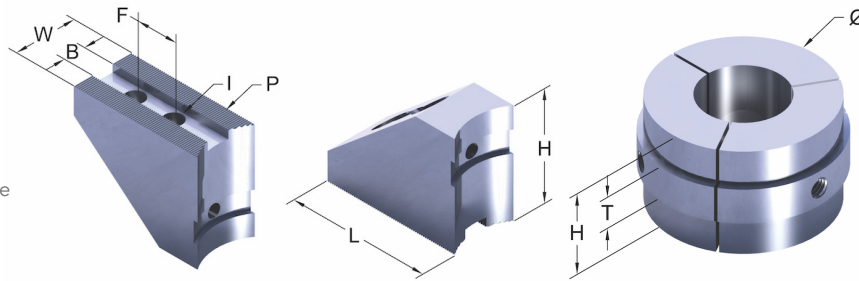
32	HC32SJ	6.50	3.25	3.00	.501	.749	3.000	—	M20	2
40	DM13046310	10.63	4.25	3.00	1.181	.749	3.000	3.000	M24	3
	HC40SJ	10.63	4.75	4.00	1.181	.749	3.000	3.000	M24	3

Hard Jaws

40	HC40RJ	8.78	4.75	4.00	1.181	.749	4.500	—	M24	2
----	--------	------	------	------	-------	------	-------	---	-----	---

Collet Pads & Jaws

Top jaws also available for Tongue & Groove, Acme Serrated & Square Serrated Style Chucks



Ø Diameter	Part #	L Length	H Height	W Width	B Slot Width	F Bold Spacing	I Screw Size	P Pitch	Pad #	Pad Ø	Pad T	Pad H
6"	KT6-09	2.35	2.50	1.25	.472	.787	M10	1.5MM x 60°	09	1.875	.435	1.375
	KT6-07	2.30	2.50	1.25	.472	.787	M10	1.5MM x 60°	07	2.375	.622	1.740
8"	KT8-09	3.70	2.50	1.50	.551	.984	M12	1.5MM x 60°	09	1.875	.435	1.375
	KT8-07	3.15	3.00	1.50	.551	.984	M12	1.5MM x 60°	07	2.375	.622	1.740
	KT8-08	2.90	3.00	1.50	.551	.984	M12	1.5MM x 60°	08	3.000	.622	1.875
	KT8-04	2.50	3.00	1.50	.551	.984	M12	1.5MM x 60°	04	3.500	.622	2.120
10"	KT10-09	4.50	2.50	1.50	.630	1.181	M12	1.5MM x 60°	09	1.875	.435	1.375
	KT10-07	4.00	3.00	1.50	.630	1.181	M12	1.5MM x 60°	07	2.375	.622	1.740
	KT10-08	3.80	3.00	1.50	.630	1.181	M12	1.5MM x 60°	08	3.000	.622	1.875
	KT10-04	3.70	3.00	1.50	.630	1.181	M12	1.5MM x 60°	04	3.500	.622	2.120
12"	KT12-09	5.50	3.00	2.00	.709	1.181	M14	1.5MM x 60°	09	1.875	.435	1.375
	KT12-07	5.12	3.00	2.00	.709	1.181	M14	1.5MM x 60°	07	2.375	.622	1.740
	KT12-08	4.90	3.00	2.00	.709	1.181	M14	1.5MM x 60°	08	3.000	.622	2.120
	KT12-04	4.50	3.00	2.00	.709	1.181	M14	1.5MM x 60°	04	3.500	.622	2.120
	KT212-09	5.50	3.00	2.00	.827	1.181	M16	1.5MM x 60°	09	1.875	.435	1.375
	KT212-07	5.12	3.00	2.00	.827	1.181	M16	1.5MM x 60°	07	2.375	.622	1.740
	KT212-08	4.90	3.00	2.00	.827	1.181	M16	1.5MM x 60°	08	3.000	.622	2.120
	KT212-04	4.50	3.00	2.00	.827	1.181	M16	1.5MM x 60°	04	3.500	.622	2.120
15"	KT15-09	7.00	3.00	2.50	.866	1.690	M20	1.5MM x 60°	09	1.875	.435	1.375
	KT15-07	6.625	3.00	2.50	.866	1.690	M20	1.5MM x 60°	07	2.375	.622	1.740
	KT15-08	6.40	3.00	2.50	.866	1.690	M20	1.5MM x 60°	08	3.000	.622	1.875
	KT15-04	6.00	3.00	2.50	.866	1.690	M20	1.5MM x 60°	04	3.500	.622	2.120
	KT15-02	5.50	4.00	2.50	.866	1.690	M20	1.5MM x 60°	02	5.000	.495	3.230
	KT15-15	5.50	3.00	2.50	.866	1.690	M20	1.5MM x 60°	15	5.000	.495	2.250

Warner & Swasey Collet Pads

Also available are Gisholt, Jones & Lamson and Martin collet pad types.

Machine # & Size	Part #	Master Collet #	Pad #	Machine Capacity	I.D. Range
#2, #3 #2 EC #16" EC	09	461-1002	461-1003	RD 1 1/2	1/4 - 1 1/2
		462-1002	461-1024	HEX 1 5/16	1/4 - 1 5/16
		1369-1008	461-1023	SQ 1 1/16	1/4 - 1 1/16
#4-2" #3 - 1 3/4"	07	1129-1102	1129-1004	RD 2	1/4 - 2
		1369-113	1129-1006	HEX 1 3/4	1/4 - 1 3/4
			1129-1005	SQ 1 1/16	1/4 - 1 3/8
#5 #1A	08	471-1001	471-1002	RD 2 1/2	1/4 - 2 1/2
			471-1004	HEX 2 3/16	1/4 - 2 3/16
			471-1003	SQ 1 3/4	1/4 - 1 3/4
#5-3"	04	4669-1001	4669-1165	RD 3	1/4 - 3
			4669-1167	HEX 2 5/8	1/4 - 2 5/8
			4669-1166	SQ 2 1/8	1/4 - 2 1/8
#5-4 1/2"	02 (3 Split) 05 (4 Split)	2779-1001	2779-1009	RD 4 1/2	1/2 - 4 1/2
			2779-1011	HEX 3 7/8	1/2 - 3 7/8
			2779-1010	SQ 3 3/16	1/2 - 3 3/16
2A-4 1/2 3A-4 1/2"	03	533-1008	533-1010	RD 4 1/2	1/2 - 4 1/2
			533-1016	HEX 3 7/8	1/2 - 3 7/8
			533-1011	SQ 3 3/16	1/2 - 3 3/16
3A-6"	01	1959-7	1959-1003	RD 6	1 - 6
			1959-1005	HEX 5 3/16	1 - 5 3/16
			1959-1004	SQ 4 1/2	1 - 4 1/2

S-Style Collet Pads

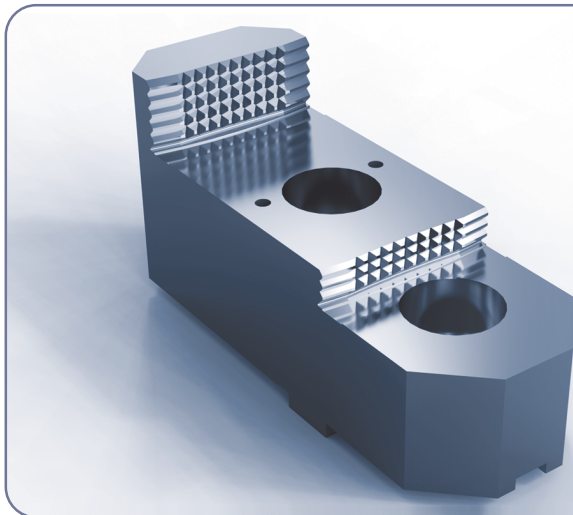
Also available are Gisholt, Jones & Lamson and Martin collet pad types.

Machine Model	Pad #	RD	HEX	SQ
National Acme				
1 1/4R, RA-6, RB-6, RB-8, C, GA-4	S-12	1 1/4	1 1/16	7/8
1 3/8R, R-4, RA-4, RAS-4,G, GA	S-15	1 1/2	1 9/32	1 1/32
1 1/2 GA	S-15	1 1/2	1 9/32	1 1/32
1 5/8R, RA, RAS-4, RB-8, GA-4	S-16	1 5/8	1 11/32	1 1/8
2R, RA, RAS-4, RAS, RB-6	S-20	2	1 23/32	1 13/16
2 1/4 R-4, R-6, R-8, RA-6, TA-8, RL	S-22	2 1/4	1 15/16	1 9/16
2 5/8R, RA, RB-6, RB-8, M	S-26	2 5/8	2 1/4	1 13/16
3 1/2RA, RB-4, RB-6, M, MR	S-35	3 1/2	3	2 15/16
4RB-6, RB-8	S-40	4	3 7/16	2 13/16
BSA				
1 1/2 #138	S-15	1 1/2	1 9/32	1 1/32
2 # 168	S-20	2	1 23/32	1 13/16
Cone				
1 1/4	S-12	1 1/4	1 1/16	7/8
1 1/2	S-15	1 1/2	1 9/32	1 1/32
1 5/8	S-16	1 5/8	1 11/32	1 1/8
1 7/8 & 2	S-20	2	1 17/32	1 13/32
2 1/4	S-22	2 1/4	1 15/16	1 1/8
2 1/2, 2 5/8	S-26	2 5/8	1 27/32	1 27/32
3, 3 1/4	S-30	3	2 19/32	2 3/32
3 1/2	S-35	3 1/2	3	2 15/16
4	S-40	4	3 7/16	2 13/16
Greenlee				
1 5/8 6 Spindle	S-16	1 5/8	1 11/16	1 1/8
2 & 2 1/4-6 Spindle	S-20	2	1 17/32	1 13/32
2 5/8 4-Spindle	s-26	2 5/8	1 27/32	1 27/32
Herbert				
2 #4	S-20	2	1 17/32	1 13/16
2 1/2 #5, #7	S-26	2 5/8	1 17/32	1 27/32
Index				
2 3/8-BE	S-16	1 5/8	1 13/16	1 1/8
New Britain				
1 1/4 #52, #601, SL	S-12	1 1/4	1 1/16	7/8
1 3/8 #52, #60, #601	S-15	1 1/2	1 9/32	1 1/32
1 5/8, #41, #61, #62	S-16	1 5/8	1 13/32	1 1/8
1 3/4 & 2, #61, #415, #817	S-20	2	1 23/32	1 13/32
2 1/4 #61, #62	S-22	2 1/4	1 13/16	1 9/16
2 5/8 & 2 3/4 #26 Single Spindle #126, #626, #826	S-26	2 5/8	2 1/4	1 27/32
3 1/2 #635	S-35	3 1/2	3	2 15/16
4 #640	S-40	4	3 7/16	2 13/16
Traub				
A-56, A-60, TB-60, TS-60	S-16	1 5/8	1 13/32	1 1/8

S-Style Collet Pads *(Continued)*

Also available are Gisholt, Jones & Lamson and Martin collet pad types.

Machine Model	Pad #	RD	HEX	SQ
Warner and Swasey				
1 1/4 6 Spindle M-3300	S-12	1 1/4	1 1/16	7/8
1 3/4 5 Spindle M-2500	S-20	2	1 23/32	1 13/32
2 1/4 5 Spindle M-2530	S-22	2 1/4	1 13/16	1 9/16
OABM-4415 (1 1/4)	S-12	1 1/4	1 1/16	7/8
1 AB M-3800	S-22	2 1/4	1 13/16	1 9/16
2 AB M-3925, M3380 (3" CAP)	S-30	3	2 19/32	2 3/32
1SC 5014-1006(2), 4034-1001 (2 1/4)	S-22	2 1/4	1 13/16	1 9/16
2 SC 5054-1003	S-20	3	2 19/32	2 3/32
Wickman				
1 3/8 5 & 6 Spindle	S-12	1 1/4	1 1/16	7/8
1 3/4 5 & 6 Spindle	S-16	1 5/8	1 13/32	1 1/8
2 1/4 6 Spindle	S-22	2 1/4	1 13/16	1 9/16
2 5/8 1-6 Spindle	S-26	2 5/8	2 1/4	1 27/32
3 1/4 6 Spindle	S-30	3	2 19/32	2 3/32
3 1/2 Single and Multi Spindle	S-35	3 1/2	3	2 15/32



Hard jaws are available for 3, 4, or 6 jaw combination chucks. These jaws include threaded holes for rest buttons and are reversible to grip both I.D. and O.D.

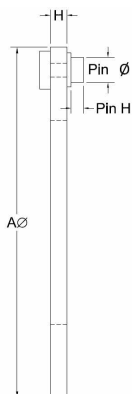
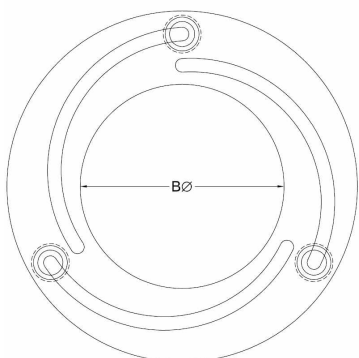
Boring Rings and Adjustable Boring Rings



BORING RINGS

Our jaw boring ring is essential for boring soft jaws and full grip jaws.

Part #	AØ (OD)	BØ (ID)	H Height	Pin Ø	Pin H
DMBR-04	4.488	1.339	0.472	0.512	0.354
DMBR-05	5.512	2.362	0.472	0.512	0.354
DMBR-06	6.614	3.15	0.472	0.65	0.354
DMBR-08	8.853	4.528	0.472	0.728	0.354
DMBR-10	10.157	5.906	0.472	0.728	0.354
DMBR-12	12.441	7.402	0.591	0.886	0.354
DMBR-15	14.961	9.055	0.787	1.22	0.63
DMBR-18	18.275	11.812	0.787	1.22	0.63



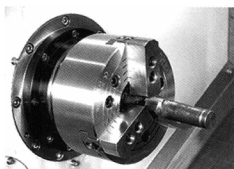
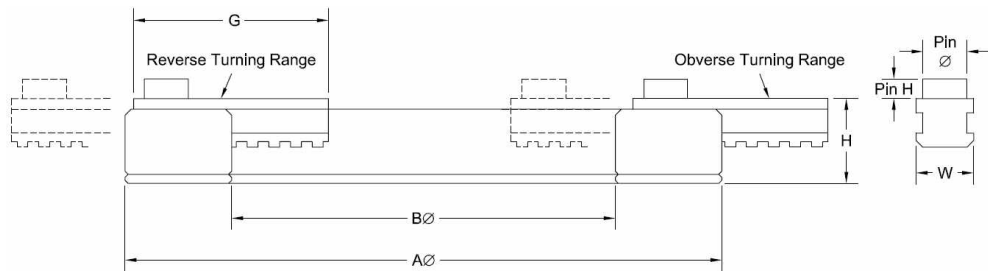
INSTALLATION:

1. With jaws in position, place boring ring over chuck and locate the pins in the counterbored holes in the jaws.
2. Turn the boring ring until pins are tight in the holes.
3. Engage the chuck to clamp on the boring ring.
4. Machine jaws to the required size.

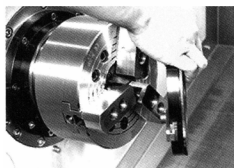
ADJUSTABLE BORING RINGS

Suitable For CNC lathe • Ideal for machining soft jaws • Applies equal pressure on all jaws • Attaches to front of jaws without any tools, eliminating "Jaw Lift" • Without discs or bungs used to clamp jaws, through boring of jaw is possible

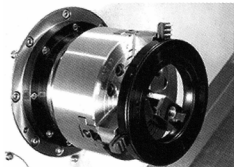
Part#	AØ (OD)	BØ (ID)	H Height	PinØ	Pin H	W Width	G Length	Max Gripping (LBF)	Max Speed (RPM)
DM58FD	6.693	3.937	1.024	0.512	0.276	.748	2.402	3307	800
DM610FD	7.874	4.921	1.024	0.642	0.315	.748	2.402	3307	700
DM812FD	9.764	6.299	1.22	0.72	0.315	.945	3.15	3858	600



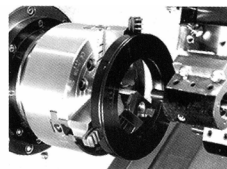
1. Set jaws in the correct position.



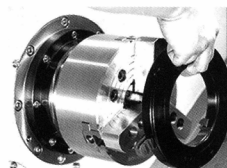
2. Adjust the forming devise to fit the bolt holes and turn the opposite direction of the chucks clamping force.



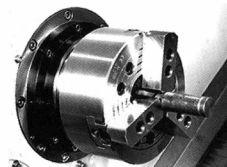
3. Lock the chuck to clamp the forming devise.



4. Machine the required diameter.



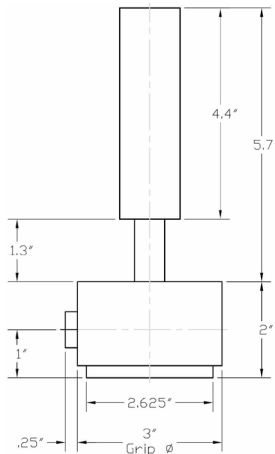
5. Unlock the chuck and remove the forming device.



6. Following these steps correctly will result in accurately bored jaws.

Jaw Force Gage

Use Dillon Manufacturing's Jaw Force Gage to verify chucks are producing their rated amount of jaw force insuring a productive and safe grip. This static jaw force gage allows the operator to check each individual jaw helping to identify problems before a failure.



Part #	Force Range	Chuck Sizes
--------	-------------	-------------

JFG-30K	0 - 30,000lbs	6" Ø - 18" Ø
---------	---------------	--------------

(Other Chucks – to max. 25,000 lbs rated force per jaw.)

Use Dillon Manufacturing's Jaw Force Gage to verify chucks are producing their rated amount of jaw force insuring a productive and safe grip. This static jaw force gage allows the operator to check each individual jaw helping to identify problems before a failure.

Once test results from all jaws are recorded the test data can be compared and used to determine:

- Internal chuck parts are worn or broken
- Chuck lacks proper lubrication; chuck does not meet manufacturers established jaw force rating
- Chuck requires disassembly and cleaning to allow for free internal movement; chuck jaws are not obtaining full travel
- Air or hydraulic actuator requires repair to correct leakage or bypassing
- Drawbar / drawtube requires adjustment in order for jaws to grip at maximum force
- Line pressure can be adjusted for proper part chucking

Dillon Manufacturing, Inc.

NO ORDINARY CHUCK GREASE

D500 HPG Chuck Grease formula is special engineered for your applications and budget.

DILLONMFG.COM or call **800-428-1133**
 Dillon Manufacturing Inc.
 2115 Progress Drive, Springfield, OH 45505

Dillon Workpiece Stops

- Dillon Workpiece Stops offer a quick, consistent method to locate short workpieces in 3-jaw chucks. Allows you to set short parts above the jaws providing needed clearance for some operations.
- Workpiece Stops eliminate the danger in using parallels or spacers that may come loose and be thrown. Strong magnets pressed into the Workpiece Stops hold securely to the chuck face.
- Quick setup time ultimately saves you time and money.

Part#	H Height	W Width	W2 Large Width
DM2302-1	.563	1.53	2.17
DM2302-2	.750	1.53	2.17
DM2302-3	1.00	1.53	2.17
DM2302-4	1.188	1.53	2.17
DM2302-5	1.375	1.53	2.17
DM2350	3-PC SET WORKPIECE STOPS - .562, .75, 1.0		
DM2351	5-PC SET WORKPIECE STOPS - .562, .75, 1.0, 1.188, 1.375		



DM2302-1



DM2302-2



DM2302-3



DM2302-4



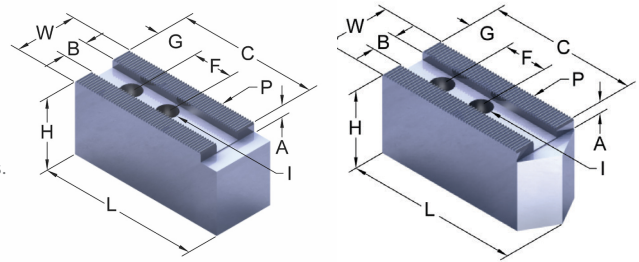
DM2302-5

Special Serrated — SOFT JAWS

Specifications for top jaw blanks not covered in our standard line of products. Dillon standard tolerances will be applied unless stated otherwise.

Fax special jaw requests to: 800-634-6480

Or email prints to: sales4@dillonmfg.com



L Length	W Width	H Height	B Slot Width	F Bolt Spacing	I Screw Size	P Pitch	# Of Holes Required	A Slot Depth	G (Distance to Hole)	C (Length of Serrations)	Pointed Y or N

*Material - Steel, Aluminum, or Other _____

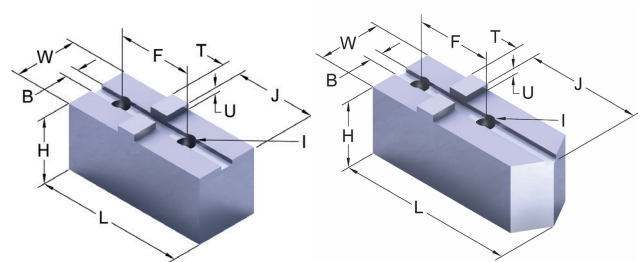
Max length of serrations is 6" | Pointed jaws will have 120° included angle unless stated otherwise

Special Tongue & Groove — SOFT JAWS

Specifications for top jaw blanks not covered in our standard line of products. Dillon standard tolerances will be applied unless stated otherwise.

Fax special jaw requests to: 800-634-6480

Or email prints to: sales4@dillonmfg.com



L Length	W Width	H Height	B Slot Width	T Tongue Width	F Bolt Spacing	I Screw Size	J (Distance to Tongue)	U (Tongue Height)	Pointed Y or N

*Material - Steel, Aluminum, or Other _____

Pointed jaws will have 120° included angle unless stated otherwise

Return Quote to:

Name _____

Company _____

Address _____

City _____ State _____ Zip _____

Phone _____

Fax _____

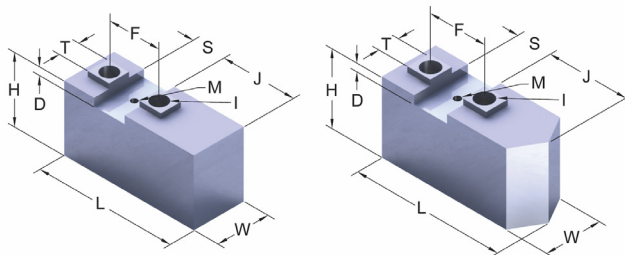
Email _____

Special Acme — SOFT JAWS

Specifications for top jaw blanks not covered in our standard line of products. Dillon standard tolerances will be applied unless stated otherwise.

Fax special jaw requests to: 800-634-6480

Or email prints to: sales4@dillonmfg.com



L Length	W Width	H Height	F Bolt Spacing	T Tongue Width	S Key Slot Width	D Key Slot Depth	I Screw Size	J (Distance to Key Slot)	M Thread Size	Pointed Y or N

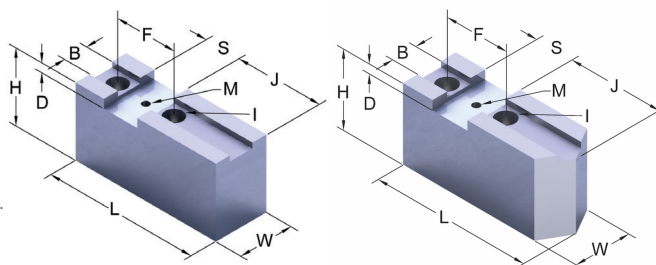
*Material - Steel, Aluminum, or Other _____ Pointed jaws will have 120° included angle unless stated otherwise

Special Square — SOFT JAWS

Specifications for top jaw blanks not covered in our standard line of products. Dillon standard tolerances will be applied unless stated otherwise.

Fax special jaw requests to: 800-634-6480

Or email prints to: sales4@dillonmfg.com



L Length	W Width	H Height	F Bolt Spacing	B Slot Width	S Key Slot Width	D Key Slot Depth	I Screw Size	J (Distance to Key Slot)	M Thread Size	Pointed Y or N

*Material - Steel, Aluminum, or Other _____ Pointed jaws will have 120° included angle unless stated otherwise

Return Quote to:

Name _____

Company _____

Address _____

City _____ State _____ Zip _____

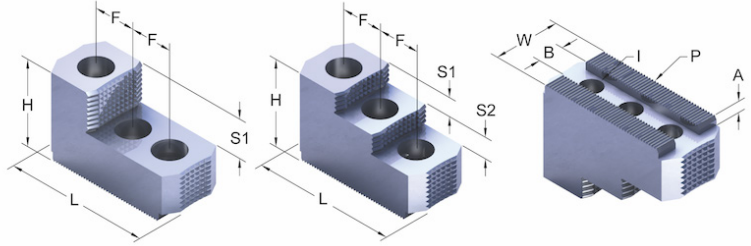
Phone _____

Fax _____

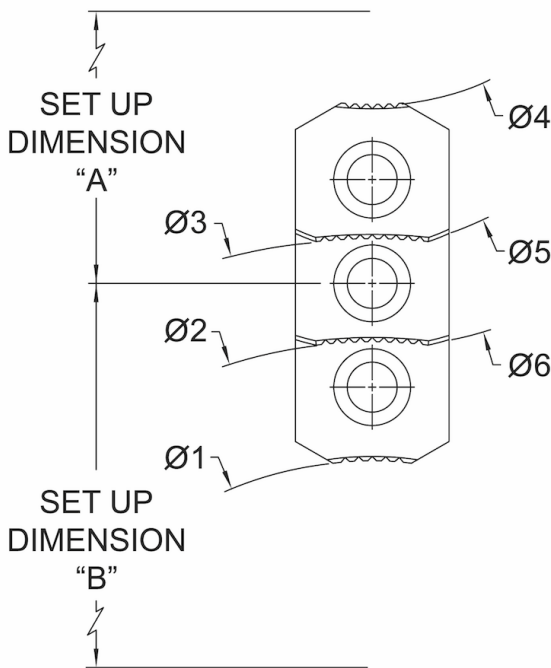
Email _____

Special Serrated — HARD JAWS

Specifications for hard top jaws not covered in our standard line of products. Dillon standard tolerances will be applied unless stated otherwise.
Fax special hard jaw requests to: 800-634-6480
Or email prints to: sales4@dillonmfg.com



L Length	W Width	H Height	B Slot Width	A Slot Depth	F Bolt Spacing	I Screw Size	P Pitch	# Holes Required	S1 (Step Height 1)	S2 (Step Height 2)	# of Jaws per Set



Ø1	Ø2	Ø3	Ø4	Ø5	Ø6

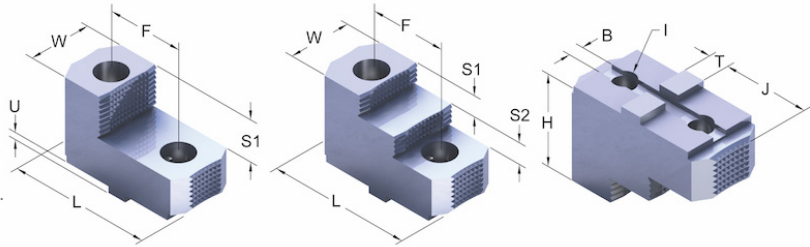
Set Up Dimension "A"	Set Up Dimension "B"

Return Quote to:

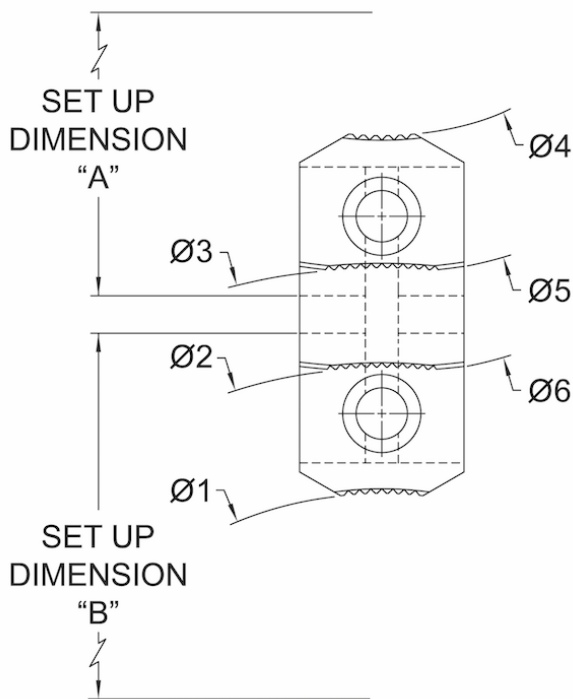
Name _____
 Company _____
 Address _____
 City _____ State _____ Zip _____
 Phone _____
 Fax _____
 Email _____

Special Tongue & Groove — HARD JAWS

Specifications for hard top jaws not covered in our standard line of products. Dillon standard tolerances will be applied unless stated otherwise.
 Fax special hard jaw requests to: 800-634-6480
 Or email prints to: sales4@dillonmfg.com



L Length	W Width	H Height	B Slot Width	T Tongue Width	U Tongue Height	F Bolt Spacing	I Screw Size	J (Distance to Tongue)	S1 (Step Height 1)	S2 (Step Height 2)	# of Jaws per Set



Ø1	Ø2	Ø3	Ø4	Ø5	Ø6

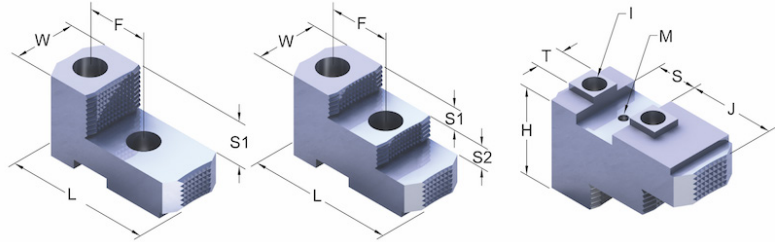
Set Up Dimension "A"	Set Up Dimension "B"

Return Quote to:

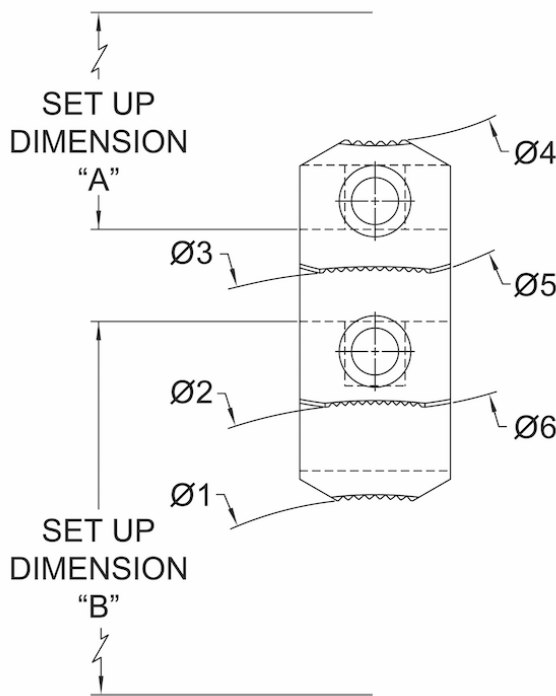
Name _____
 Company _____
 Address _____
 City _____ State _____ Zip _____
 Phone _____
 Fax _____
 Email _____

Special Acme — HARD JAWS

Specifications for hard top jaws not covered in our standard line of products. Dillon standard tolerances will be applied unless stated otherwise.
Fax special hard jaw requests to: 800-634-6480
Or email prints to: sales4@dillonmfg.com



L Length	W Width	H Height	F Bolt Spacing	T Tongue Width	S Key Slot Width	I Screw Size	J (Distance to Key)	M Thread Size	S1 (Step Height 1)	S2 (Step Height 2)	# of Jaws per Set



Ø1	Ø2	Ø3	Ø4	Ø5	Ø6

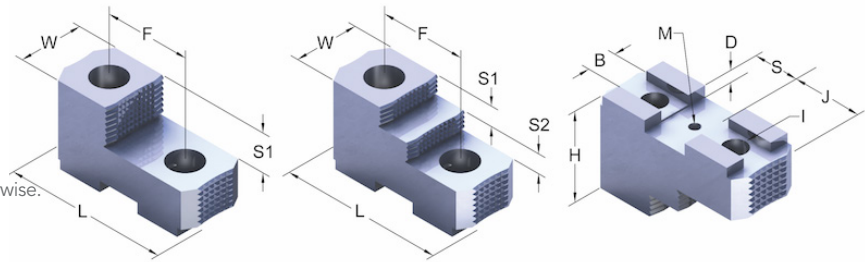
Set Up Dimension "A"	Set Up Dimension "B"

Return Quote to:

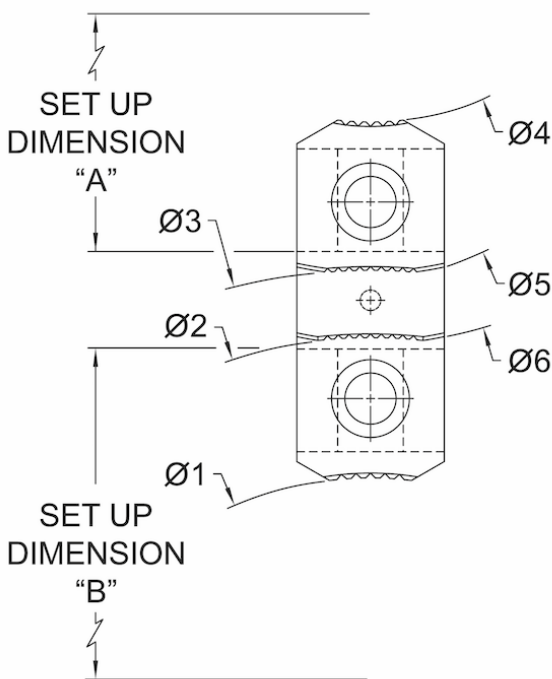
Name _____
 Company _____
 Address _____
 City _____ State _____ Zip _____
 Phone _____
 Fax _____
 Email _____

Special Square — HARD JAWS

Specifications for hard top jaws not covered in our standard line of products. Dillon standard tolerances will be applied unless stated otherwise.
Fax special hard jaw requests to: 800-634-6480
Or email prints to: sales4@dillonmfg.com



L Length	W Width	H Height	F Bolt Spacing	B Slot Width	S Key Slot Width	I Screw Size	J (Distance to Key)	M Thread Size	S1 (Step Height 1)	S2 (Step Height 2)	# of Jaws per Set



Ø1	Ø2	Ø3	Ø4	Ø5	Ø6

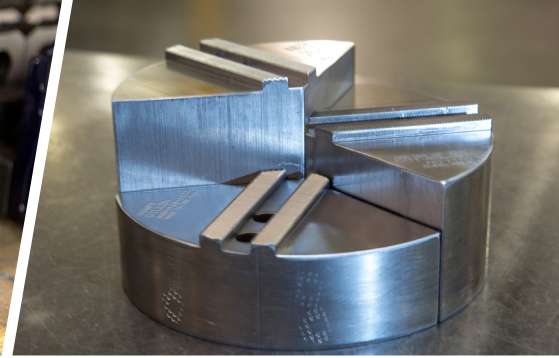
Set Up Dimension "A"	Set Up Dimension "B"

Return Quote to:

Name _____
 Company _____
 Address _____
 City _____ State _____ Zip _____
 Phone _____
 Fax _____
 Email _____

RETURN POLICY - RETURNED GOODS POLICY - JULY 2021

1. Dillon Manufacturing, Inc will only accept, for return and credit, current standard catalog items which were purchased within a 60 day period and are in resalable condition.
2. **Restocking Charge.** The standard restocking charge is 15%.
3. **Other Charges.** Goods returned must be new, unused, in their original containers and current as shown in the latest Dillon Manufacturing, Inc. catalog. Charges for updating and/or reconditioning will be deducted from the credit memo issue.
4. **Procedure**
 - 4.1. To return goods, you must contact a Customer Service Representative by telephone at 1-800-428-1133 for a **(RMA)** Returned Material Authorization form. Items may not be accepted without a RMA number.
 - 4.2. Please have the following information:
 - A. Reason you wish to return the goods;
 - B. Quantity and description of the goods;
 - C. Dillon Manufacturing, Inc.'s invoice number for the good being returned.
 - 4.3. The RMA Form can be mailed or faxed, or an RMA number can be given over the phone. The designated copy or number must accompany the items returned.
5. After inspection of the items returned, a credit memo will be issued.
6. All items returned for credit must be shipped prepaid.



ISO 9001:2015 certified processes.

Made in USA by skilled personnel operating modern CNC machines.

Standard Chuck Jaws – 2000+ chuck jaws fitting all major brands of chucks. Made with 1018 steel or 6061 aluminum.

Hard Jaws – Designed to aggressively hold parts in place while rough boring or turning. Suitable for OD, ID and bar stock clamping. Hard jaws can reduce setup times and costs.

Full Grip Jaws – clamp 90%+ of the workpiece surface (circumference). No deformation of thin-walled workpieces. Dillon full grips are produced in a size range of 6” to 28”. Production material used: 6160 Aluminum, 1018 Steel, and Cast Iron.

Jaw Nuts and keys for all chuck brands.

Collet Jaws and Pads – Turn your power chuck into a quick change collet chuck system. Available for W&S, S Styles, Martin, and other collets.

Special Jaws – Delrin jaws, tool steel, stainless steel, copper and brass jaws.

Quick Change Jaw System – ensure easy handling and reduced set-up times due to wide clamping range and quick jaw change.

Customized Jaws – Dillon will deliver custom jaw sets to your specifications. Top jaws, jaw nuts and screws, hard Jaws, collet pad jaws, and full grip jaws.

Claw Jaws – can provide a higher cutting rate and with lower clamping forces – the jaws bite into the workpiece providing increased holding power. The jaws are case hardened, 8620 steel.

Base Jaws with Serrations – Metric chuck base jaws with serrations or T-slot and t-nuts for applications with fine serrated top jaws or tongue and groove top jaws.

Machinable Vise Jaws – steel or aluminum

Machinable Bars – (serrated 1.5mm, 3mm, 1/16th or 3/32nd x90°). Length = max 260 mm.

Boring Rings – large inventory of boring rings form 6” dia. To 18” dia. Boring rings save time, facilitate set-ups, and provide additional precision at a reasonable price.

Chuck Lubricating Grease – low washout rate, no heavy metals, and available in tubes, cases, or kits.

Chuck Manufacturers Represented – Kitagawa, SMW, Samchully, Bison, and TMX

Individual Service – sold through Industrial Distributors and their sales representatives.

DillonManufacturing, Inc.

2115 Progress Rd.
Springfield, Ohio 45505